



EPH/EPV Horizontal/Vertical Pipeline Pump



Application

EPV/EPH vertical pipeline centrifugal pump is used for transporting water and other liquids with physical and chemical properties similar to water. It is suitable for industrial and urban water supply and drainage, pressurized water supply of high-rise buildings, garden sprinkler irrigation, fire pressurization, distance transportation, HVAC refrigeration cycle, bathroom and other cold and warm water circulation pressurization and equipment supporting, with the operating temperature less than 80°C.

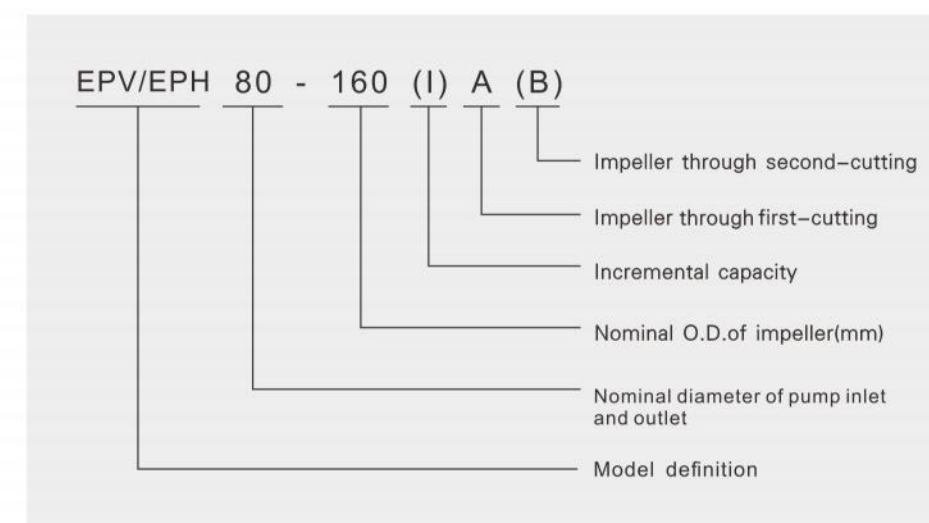
Feature

1. Compact structure, small volume, beautiful outlook. The lower barycenter of the vertical structure which coincides with the center of the pump feet strengthens the stability of running and the duration.
2. Easy to mount. Because of the same apertures of both inlet and outlet which also locate on the same central line, the pump can be directly mounted on and part of the pipeline just as a valve. The motor is covered with a rainproof cap so that operation can be done outdoors. Mounting feet are equipped with the pump so that it can be stably mounted.
3. Stable running, low noise, high concentricity of components. Bearings of low noise are used for the motor, the impellers are of best dynamic and static balance, no vibration at running and the environment thus being improved.
4. No leakage. The shaft is mechanically sealed with carbide alloy wearable material, settling the serious leakage of the filling seal of a centrifugal pump, extending the duration and ensuring the operation place clean and tidy.
5. Easy to maintain. Not necessary to remove the pipeline for check-out and maintenance, only to take out the nuts on the pump lid, the motor and the driving components.
6. The pump, according to the operation condition of the worksite, maybe vertically, horizontally etc. multiways mounted and also according to the requirements for the flow ans stroke, mounted in parallel and/or in series to increase the needed low and stroke.

Working Condition

1. Suction pressure $\leq 1.0\text{MPa}$, or pump system maximum working pressure $\leq 1.6\text{MPa}$, that is, pump inlet pressure + pump head $\leq 1.6\text{MPa}$, pump static pressure test pressure is 2.5MPa , please indicate the system working pressure when ordering. When the working pressure of the pump system is greater than 1.6MPa , it should be proposed separately at the time of ordering, so that the flow part and the connection part of the pump are made of cast steel.
2. Ambient temperature $< 40^\circ\text{C}$, relative humidity $< 95\%$. The volume content of solid particles in the conveying medium does not exceed 0.1% of the unit volume, and the particle size is $< 0.2\text{mm}$. Note: If the medium is used with fine particles, please indicate when ordering, so that the manufacturer uses wear-resistant mechanical seals.

Model Definition



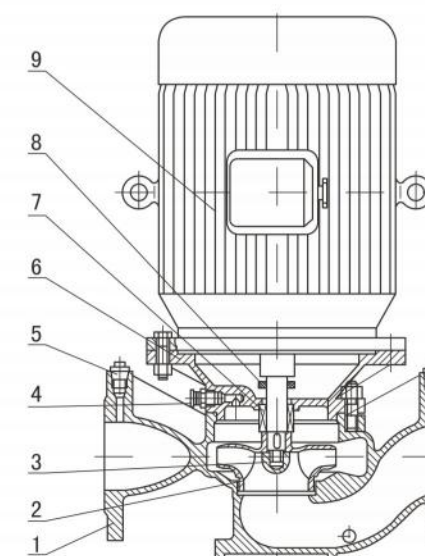
Technical Parameter

Inlet/Outlet range: DN15~DN300
 Rated flow: 20~1200m³/h
 Rated head: 3~150m
 Max working pressure: 20bar

Liquid Temperature

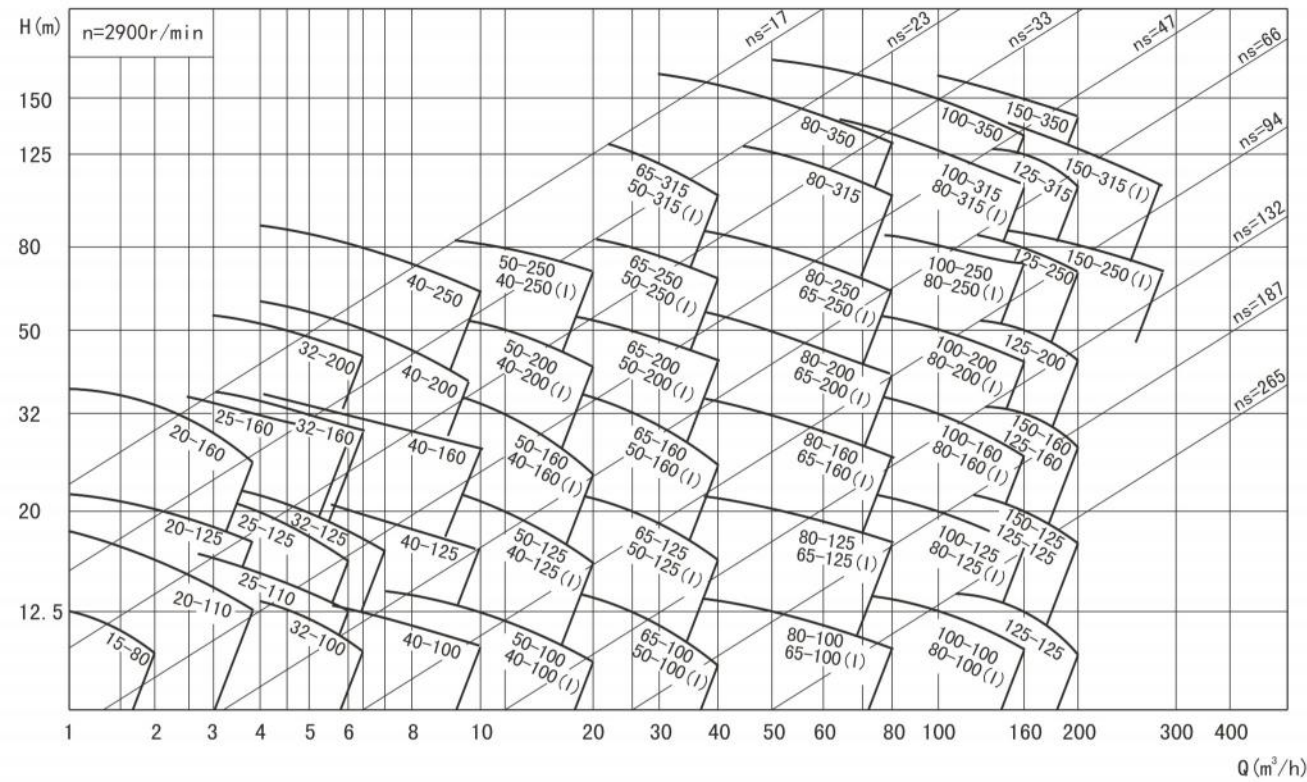
Type 1: 0°C~80°C
 Type 2: -20°C~120°C

Product Structure

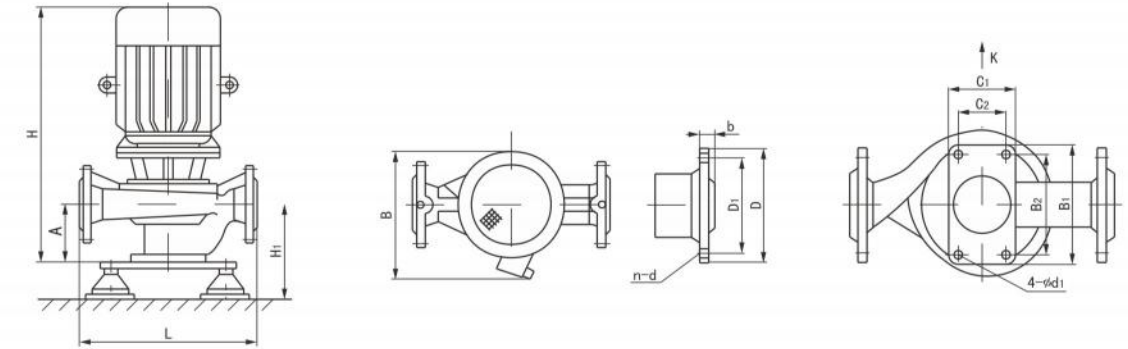


| No | Name | Quantity |
|----|---------------------|----------|
| 1 | Pump case | 1 |
| 2 | Impeller | 1 |
| 3 | Impeller nut | 1 |
| 4 | Air discharge valve | 1 |
| 5 | Plug | 3 |
| 6 | Pump cover | 1 |
| 7 | Mechanical seal | 1 |
| 8 | Water-blocking ring | 1 |
| 9 | Motor | 1 |

Performance Curve



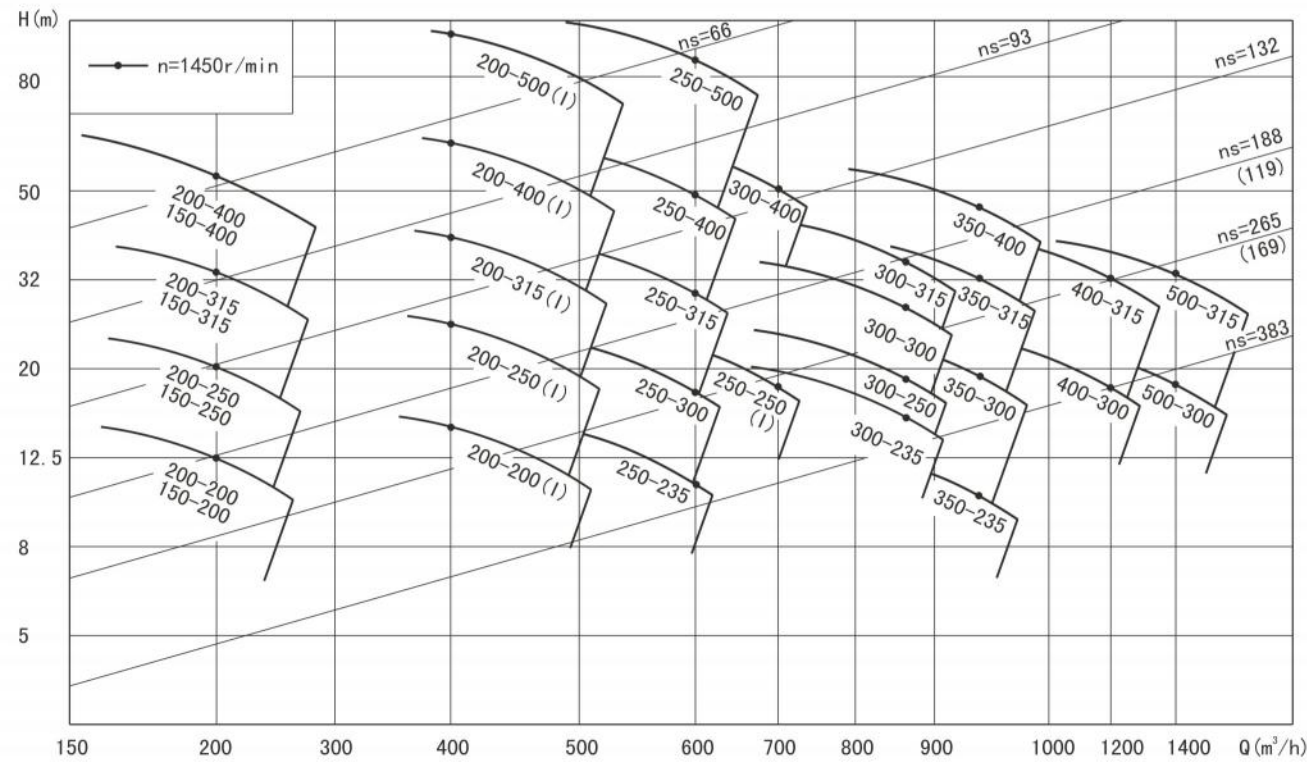
Flange Dimension



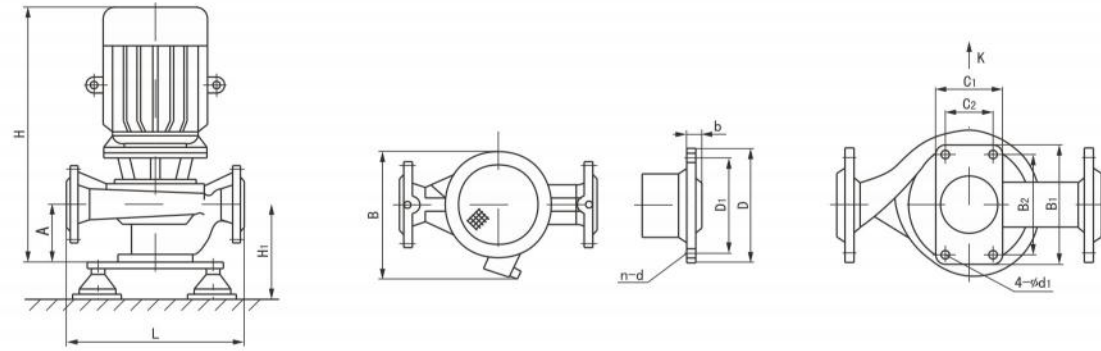
| Flange dimension | | | | |
|------------------|------|-------|--------|----|
| DN | D | D1 | n-d | b |
| φ 25 | φ115 | φ 85 | 4-φ 14 | 16 |
| φ 32 | φ140 | φ 100 | 4-φ 18 | 18 |

Performance Table

| Model | Rated flow | | Rated head | Efficiency | Rotational Speed | Power | Cavitation | Weight |
|---------|------------|------|------------|------------|------------------|-------|------------|--------|
| | m³/h | L/s | m | % | r/min | kW | m | kg |
| 15-80 | 1.1 | 0.30 | 8.5 | 26 | 2900 | 0.18 | 2.5 | 17 |
| | 1.5 | 0.42 | 8 | 34 | | | | |
| | 2 | 0.56 | 7 | 34 | | | | |
| 20-110 | 1.8 | 0.50 | 16 | 25 | 2900 | 0.37 | 2.5 | 25 |
| | 2.5 | 0.69 | 15 | 34 | | | | |
| | 3.3 | 0.91 | 13.5 | 35 | | | | |
| 20-125 | 1.8 | 0.50 | 21 | 23 | 2900 | 0.75 | 2.5 | 35 |
| | 2.5 | 0.69 | 20 | 28 | | | | |
| | 3.3 | 0.91 | 18.6 | 26 | | | | |
| 20-160 | 1.8 | 0.50 | 33 | 19 | 2900 | 1.1 | 2.5 | 35 |
| | 2.5 | 0.69 | 32 | 25 | | | | |
| | 3.3 | 0.91 | 30 | 23 | | | | |
| 25-110 | 2.8 | 0.78 | 16 | 34 | 2900 | 0.75 | 2.5 | 29 |
| | 4 | 1.11 | 15 | 42 | | | | |
| | 5.2 | 1.44 | 13.5 | 41 | | | | |
| 25-125 | 2.8 | 0.78 | 20.5 | 28 | 2900 | 0.75 | 2.5 | 33 |
| | 4 | 1.11 | 20 | 36 | | | | |
| | 5.2 | 1.44 | 18 | 35 | | | | |
| 25-125A | 2.5 | 0.69 | 17 | 35 | 2900 | 0.75 | 2.5 | 32 |
| | 3.6 | 1.00 | 16 | 35 | | | | |
| | 4.6 | 1.28 | 14.5 | 35 | | | | |
| 25-160 | 2.8 | 0.78 | 33 | 24 | 2900 | 1.5 | 2.5 | 39 |
| | 4 | 1.11 | 32 | 32 | | | | |
| | 5.2 | 1.44 | 30 | 33 | | | | |
| 25-160A | 2.6 | 0.72 | 29 | 31 | 2900 | 1.1 | 2.5 | 35 |
| | 3.7 | 1.03 | 28 | 31 | | | | |
| | 4.9 | 1.36 | 26 | 31 | | | | |
| 32-100 | 3.5 | 0.97 | 14.5 | 34 | 2900 | 0.55 | 2.5 | 35 |
| | 4.5 | 1.25 | 12.5 | 40 | | | | |
| | 5.3 | 1.47 | 11 | 35 | | | | |
| 32-125 | 3.5 | 0.97 | 22 | 40 | 2900 | 0.75 | 2.5 | 35 |
| | 5 | 1.39 | 20 | 44 | | | | |
| | 6.5 | 1.81 | 18 | 42 | | | | |
| 32-125A | 3.1 | 0.86 | 17.6 | 43 | 2900 | 0.75 | 2.5 | 34 |
| | 4.5 | 1.25 | 16 | 43 | | | | |
| | 5.8 | 1.61 | 14.4 | 43 | | | | |
| 32-160 | 3.5 | 0.97 | 33 | 24 | 2900 | 1.5 | 2.5 | 42 |
| | 5 | 1.39 | 32 | 32 | | | | |
| | 6.5 | 1.81 | 30 | 33 | | | | |
| 32-160A | 3.5 | 0.97 | 26.5 | 24 | 2900 | 1.1 | 2.5 | 43 |
| | 4.5 | 1.25 | 25 | 32 | | | | |
| | 6 | 1.67 | 19 | 33 | | | | |

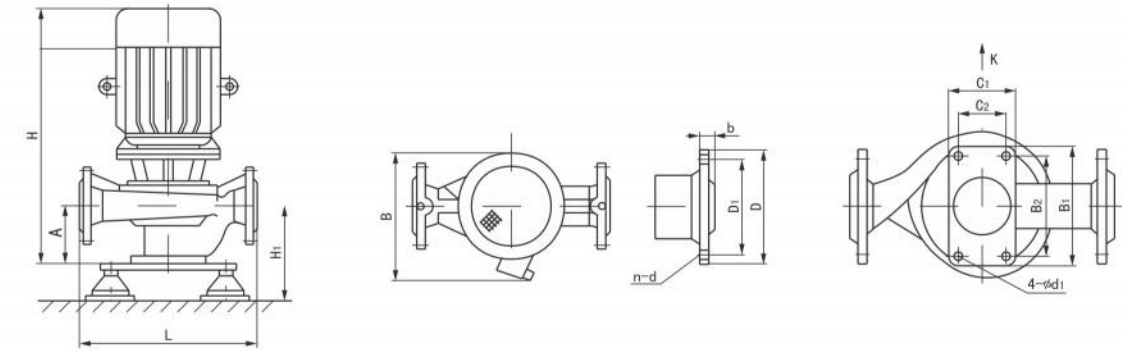


Flange Dimension



| Flange dimension | | | | |
|------------------|-------|-------|--------|----|
| DN | D | D1 | n-d | b |
| φ 32 | φ 140 | φ 100 | 4-φ 18 | 18 |
| φ 40 | φ 150 | φ 110 | 4-φ 18 | 18 |

Flange Dimension



| Flange dimension | | | | |
|------------------|-------|-------|--------|----|
| DN | D | D1 | n-d | b |
| φ 40 | φ 150 | φ 110 | 4-φ 18 | 18 |

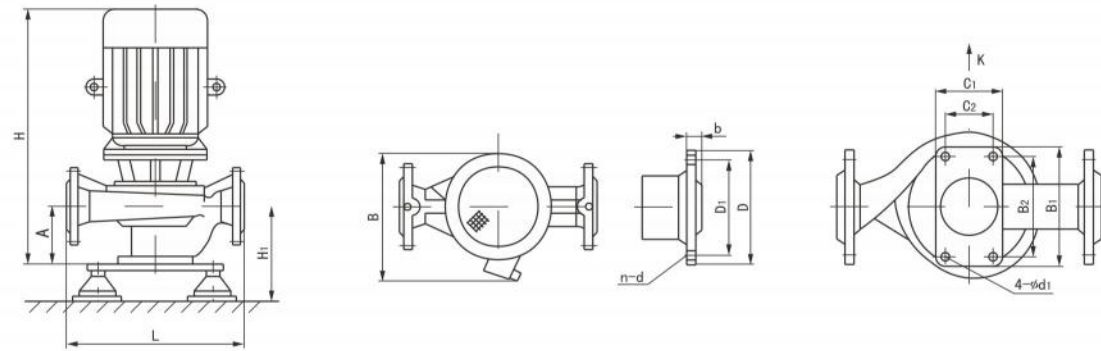
Performance Table

| Model | Rated flow | | Rated head | Efficiency | Rotational Speed | Power | Cavitation | Weight |
|-----------|------------|------|------------|------------|------------------|-------|------------|--------|
| | m³/h | L/s | m | % | r/min | kW | m | kg |
| 32-160(I) | 4.4 | 1.22 | 33.2 | 34 | 2900 | 2.2 | 2.5 | 45 |
| | 6.3 | 1.75 | 32 | 40 | | | | |
| | 8.3 | 2.31 | 30.2 | 42 | | | | |
| 32-200 | 3.5 | 0.97 | 51 | 26 | 2900 | 3 | 2.5 | 61 |
| | 5 | 1.39 | 50 | 33 | | | | |
| | 6.5 | 1.81 | 48 | 32 | | | | |
| 32-200A | 3.1 | 0.86 | 44.6 | 34 | 2900 | 2.2 | 2.5 | 53 |
| | 4.5 | 1.25 | 44 | 40 | | | | |
| | 5.8 | 1.61 | 42.7 | 42 | | | | |
| 32-200B | 2.45 | 0.68 | 40 | 34 | 2900 | 1.5 | 2.5 | 40 |
| | 3.5 | 0.97 | 38 | 40 | | | | |
| | 4.55 | 1.26 | 33 | 42 | | | | |
| 32-200(I) | 4.4 | 1.22 | 50.5 | 26 | 2900 | 4 | 2.5 | 70 |
| | 6.3 | 1.75 | 50 | 33 | | | | |
| | 8.3 | 2.31 | 48 | 35 | | | | |
| 40-100 | 4.4 | 1.22 | 13.2 | 48 | 2900 | 0.75 | 2.5 | 34 |
| | 6.3 | 1.75 | 12.5 | 54 | | | | |
| | 8.3 | 2.31 | 11.3 | 53 | | | | |
| 40-100A | 3.9 | 1.08 | 10.6 | 52 | 2900 | 0.75 | 2.5 | 33 |
| | 5.6 | 1.56 | 10 | 52 | | | | |
| | 7.4 | 2.06 | 9 | 52 | | | | |
| 40-125 | 4.4 | 1.22 | 21 | 41 | 2900 | 1.1 | 2.5 | 38 |
| | 6.3 | 1.75 | 20 | 46 | | | | |
| | 8.3 | 2.31 | 18 | 43 | | | | |
| 40-125A | 3.9 | 1.08 | 17.6 | 40 | 2900 | 0.75 | 2.5 | 36 |
| | 5.6 | 1.56 | 16 | 45 | | | | |
| | 7.4 | 2.06 | 14.4 | 41 | | | | |
| 40-160 | 4.4 | 1.22 | 33 | 35 | 2900 | 2.2 | 2.5 | 46 |
| | 6.3 | 1.75 | 32 | 40 | | | | |
| | 8.3 | 2.31 | 30 | 40 | | | | |
| 40-160A | 4.1 | 1.14 | 29 | 34 | 2900 | 1.5 | 2.5 | 42 |
| | 5.9 | 1.64 | 28 | 39 | | | | |
| | 7.8 | 2.17 | 26.3 | 39 | | | | |
| 40-160B | 3.8 | 1.06 | 25.5 | 34 | 2900 | 1.1 | 2.5 | 38 |
| | 5.5 | 1.53 | 24 | 38 | | | | |
| | 7.2 | 2.00 | 22.5 | 37 | | | | |
| 40-200 | 4.4 | 1.22 | 51 | 26 | 2900 | 4 | 2.5 | 72 |
| | 6.3 | 1.75 | 50 | 33 | | | | |
| | 8.3 | 2.31 | 48 | 32 | | | | |
| 40-200A | 4.1 | 1.14 | 45 | 26 | 2900 | 3 | 2.5 | 62 |
| | 5.9 | 1.64 | 44 | 31 | | | | |
| | 7.8 | 2.17 | 42 | 30 | | | | |

Performance Table

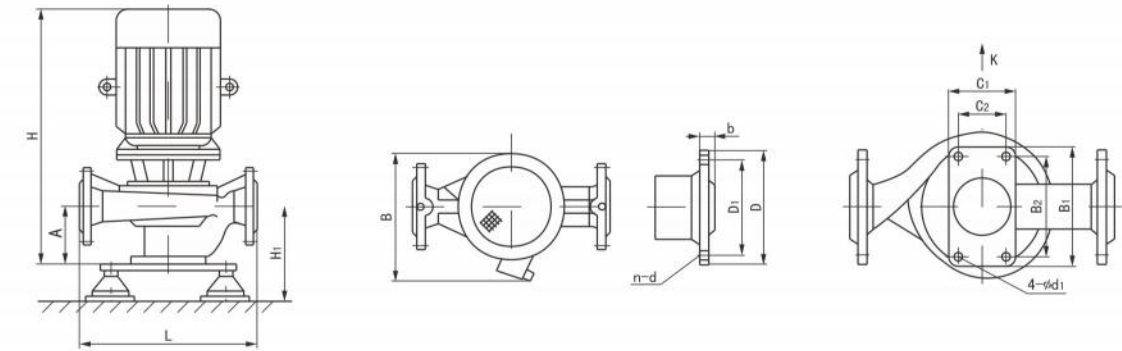
| Model | Rated flow | | Rated head | Efficiency | Rotational Speed | Power | Cavitation | Weight |
|------------|------------|------|------------|------------|------------------|-------|------------|--------|
| | m³/h | L/s | m | % | r/min | kW | m | kg |
| 40-200B | 3.7 | 1.03 | 38 | 29 | 2900 | 2.2 | 2.5 | 53 |
| | 5.3 | 1.47 | 36 | 29 | | | | |
| | 7 | 1.94 | 34.5 | 29 | | | | |
| 40-250 | 4.4 | 1.22 | 82 | 24 | 2900 | 7.5 | 2.5 | 105 |
| | 6.3 | 1.75 | 80 | 28 | | | | |
| | 8.3 | 2.31 | 74 | 28 | | | | |
| 40-250A | 4.1 | 1.14 | 72 | 24 | 2900 | 5.5 | 2.5 | 98 |
| | 5.9 | 1.64 | 70 | 28 | | | | |
| | 7.8 | 2.17 | 65 | 27 | | | | |
| 40-250B | 3.8 | 1.06 | 61.5 | 23 | 2900 | 4 | 2.5 | 77 |
| | 5.5 | 1.53 | 60 | 27 | | | | |
| | 7 | 1.94 | 56 | 26 | | | | |
| 40-100(I) | 8.8 | 2.44 | 13.2 | 55 | 2900 | 1.1 | 2.5 | 39 |
| | 12.5 | 3.47 | 12.5 | 62 | | | | |
| | 16.3 | 4.53 | 11.3 | 60 | | | | |
| 40-100(I)A | 8 | 2.22 | 10.6 | 60 | 2900 | 0.75 | 2.5 | 37 |
| | 11 | 3.06 | 10 | 60 | | | | |
| | 14.5 | 4.03 | 9 | 60 | | | | |
| 40-125(I) | 8.8 | 2.44 | 21.2 | 49 | 2900 | 1.5 | 2.5 | 43 |
| | 12.5 | 3.47 | 20 | 58 | | | | |
| | 16.3 | 4.53 | 17.8 | 57 | | | | |
| 40-125(I)A | 8 | 2.22 | 17 | 57 | 2900 | 1.1 | 2.5 | 39 |
| | 11 | 3.06 | 16 | 57 | | | | |
| | 14.5 | 4.03 | 14 | 57 | | | | |
| 40-160(I) | 8.8 | 2.44 | 33 | 45 | 2900 | 3 | 2.5 | 57 |
| | 12.5 | 3.47 | 32 | 52 | | | | |
| | 16.3 | 4.53 | 30 | 51 | | | | |
| 40-160(I)A | 8.2 | 2.28 | 29 | 44 | 2900 | 2.2 | 2.5 | 47 |
| | 11.7 | 3.25 | 28 | 51 | | | | |
| | 15.2 | 4.22 | 26 | 50 | | | | |
| 40-160(I)B | 7.3 | 2.03 | 23 | 50 | 2900 | 1.5 | 2.5 | 43 |
| | 10.4 | 2.89 | 22 | 50 | | | | |
| | 13.5 | 3.75 | 20.5 | 50 | | | | |
| 40-200(I) | 8.8 | 2.44 | 51.2 | 38 | 2900 | 5.5 | 2.5 | 91 |
| | 12.5 | 3.47 | 50 | 46 | | | | |
| | 16.3 | 4.53 | 48 | 46 | | | | |
| 40-200(I)A | 8.3 | 2.31 | 45 | 37 | 2900 | 4 | 2.5 | 72 |
| | 11.7 | 3.25 | 44 | 45 | | | | |
| | 15.3 | 4.25 | 42 | 45 | | | | |
| 40-200(I)B | 7.5 | 2.08 | 37 | 44 | 2900 | 3 | 2.5 | 63 |
| | 10.6 | 2.94 | 36 | 44 | | | | |
| | 13.8 | 3.83 | 34 | 44 | | | | |

Flange Dimension



| Flange dimension | | | | |
|------------------|------|------|--------|----|
| DN | D | D1 | n-d | b |
| φ40 | φ150 | φ110 | 4- φ18 | 18 |
| φ50 | φ165 | φ125 | 4- φ18 | 20 |

Flange Dimension



| Flange dimension | | | | |
|------------------|------|------|--------|----|
| DN | D | D1 | n-d | b |
| φ50 | φ165 | φ125 | 4- φ18 | 20 |

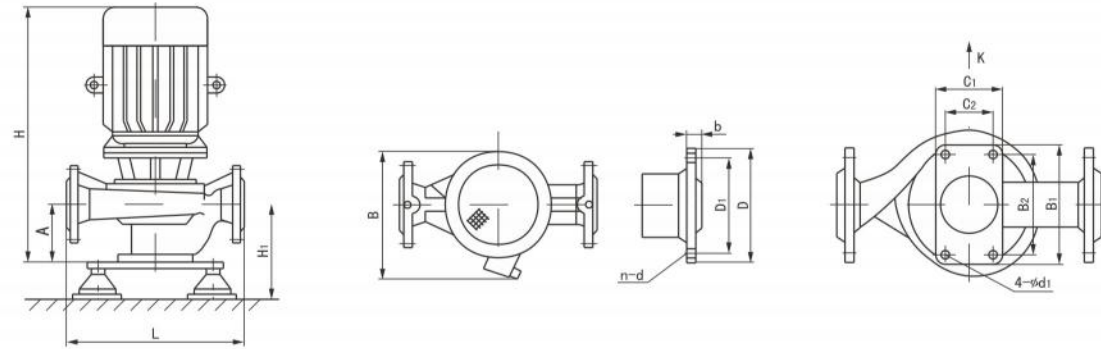
Performance Table

| Model | Rated flow | | Rated head | Efficiency | Rotational Speed | Power | Cavitation | Weight |
|------------|------------|------|------------|------------|------------------|-------|------------|--------|
| | m³/h | L/s | m | % | r/min | kW | m | kg |
| 40-250(I) | 8.8 | 2.44 | 81.2 | 31 | 2900 | 11 | 2.5 | 157 |
| | 12.5 | 3.47 | 80 | 38 | | | | |
| | 16.3 | 4.53 | 77.5 | 40 | | | | |
| 40-250(I)A | 8.2 | 2.28 | 71 | 38 | 2900 | 7.5 | 2.5 | 107 |
| | 11.6 | 3.22 | 70 | 38 | | | | |
| | 15.2 | 4.22 | 68 | 38 | | | | |
| 40-250(I)B | 7.6 | 2.11 | 61.4 | 37 | 2900 | 5.5 | 2.5 | 100 |
| | 10.8 | 3.00 | 60 | 37 | | | | |
| | 14 | 3.89 | 58 | 37 | | | | |
| 40-250(I)C | 7.1 | 1.97 | 53.2 | 36 | 2900 | 5.5 | 2.5 | 99 |
| | 10 | 2.78 | 52 | 36 | | | | |
| | 13.1 | 3.64 | 50.4 | 36 | | | | |
| 50-100 | 8.8 | 2.44 | 13.6 | 55 | 2900 | 1.1 | 2.5 | 38 |
| | 12.5 | 3.47 | 12.5 | 62 | | | | |
| | 16.3 | 4.53 | 11.3 | 60 | | | | |
| 50-100A | 8 | 2.22 | 11 | 60 | 2900 | 0.75 | 2.5 | 36 |
| | 11 | 3.06 | 10 | 60 | | | | |
| | 14.5 | 4.03 | 9 | 60 | | | | |
| 50-125 | 8.8 | 2.44 | 21.5 | 49 | 2900 | 1.5 | 2.5 | 43 |
| | 12.5 | 3.47 | 20 | 58 | | | | |
| | 16.3 | 4.53 | 17.8 | 57 | | | | |
| 50-125A | 8 | 2.22 | 17 | 57 | 2900 | 1.1 | 2.5 | 39 |
| | 11 | 3.06 | 16 | 57 | | | | |
| | 14.5 | 4.03 | 14 | 57 | | | | |
| 50-160 | 8.8 | 2.44 | 33 | 45 | 2900 | 3 | 2.5 | 59 |
| | 12.5 | 3.47 | 32 | 52 | | | | |
| | 16.3 | 4.53 | 30 | 51 | | | | |
| 50-160A | 8.2 | 2.28 | 29 | 44 | 2900 | 2.2 | 2.5 | 48 |
| | 11.7 | 3.25 | 28 | 51 | | | | |
| | 15.2 | 4.22 | 26 | 50 | | | | |
| 50-160B | 7.3 | 2.03 | 23 | 50 | 2900 | 1.5 | 2.5 | 44 |
| | 10.4 | 2.89 | 22 | 50 | | | | |
| | 13.5 | 3.75 | 20.5 | 50 | | | | |
| 50-200 | 8.8 | 2.44 | 52 | 38 | 2900 | 5.5 | 2.5 | 92 |
| | 12.5 | 3.47 | 50 | 46 | | | | |
| | 16.3 | 4.53 | 48 | 46 | | | | |
| 50-200A | 8.3 | 2.31 | 45.8 | 37 | 2900 | 4 | 2.5 | 73 |
| | 11.7 | 3.25 | 44 | 45 | | | | |
| | 15.3 | 4.25 | 42 | 45 | | | | |
| 50-200B | 7.5 | 2.08 | 37 | 44 | 2900 | 3 | 2.5 | 63 |
| | 10.6 | 2.94 | 36 | 44 | | | | |
| | 13.8 | 3.83 | 34 | 44 | | | | |

Performance Table

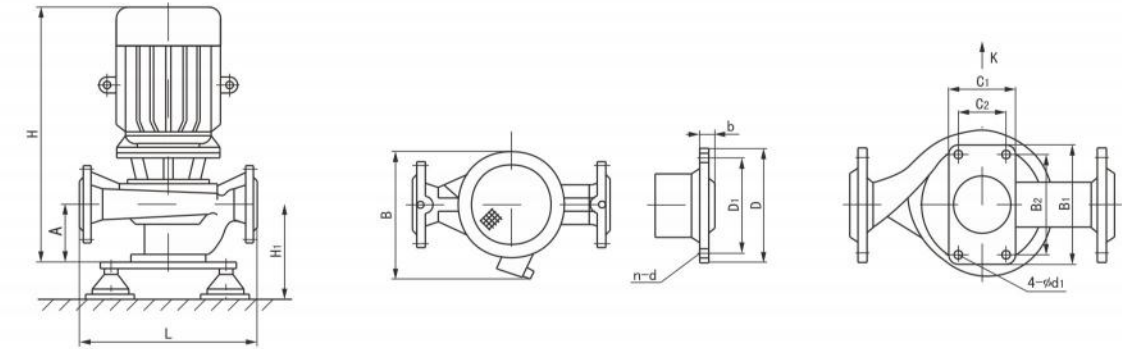
| Model | Rated flow | | Rated head | Efficiency | Rotational Speed | Power | Cavitation | Weight |
|------------|------------|------|------------|------------|------------------|-------|------------|--------|
| | m³/h | L/s | m | % | r/min | kW | m | kg |
| 50-250 | 8.8 | 2.44 | 82 | 29 | 2900 | 11 | 2.5 | 162 |
| | 12.5 | 3.47 | 80 | 38 | | | | |
| | 16.3 | 4.53 | 77.5 | 40 | | | | |
| 50-250A | 8.2 | 2.28 | 71.5 | 38 | 2900 | 7.5 | 2.5 | 112 |
| | 11.6 | 3.22 | 70 | 38 | | | | |
| | 15.2 | 4.22 | 68 | 38 | | | | |
| 50-250B | 7.6 | 2.11 | 61.4 | 37 | 2900 | 7.5 | 2.5 | 105 |
| | 10.8 | 3.00 | 60 | 37 | | | | |
| | 14 | 3.89 | 58 | 37 | | | | |
| 50-250C | 7.1 | 1.97 | 53.2 | 36 | 2900 | 5.5 | 2.5 | 104 |
| | 10 | 2.78 | 52 | 36 | | | | |
| | 13.1 | 3.64 | 50.4 | 36 | | | | |
| 50-100(I) | 17.5 | 4.86 | 13.7 | 67 | 2900 | 1.5 | 2.5 | 44 |
| | 25 | 6.94 | 12.5 | 69 | | | | |
| | 32.5 | 9.03 | 10.5 | 69 | | | | |
| 50-100(I)A | 15.6 | 4.33 | 11 | 65 | 2900 | 1.1 | 2.5 | 40 |
| | 22.3 | 6.19 | 10 | 67 | | | | |
| | 29 | 8.06 | 8.4 | 68 | | | | |
| 50-125(I) | 17.5 | 4.86 | 21.5 | 60 | 2900 | 3 | 2.5 | 59 |
| | 25 | 6.94 | 20 | 68 | | | | |
| | 32.5 | 9.03 | 18 | 67 | | | | |
| 50-125(I)A | 15.6 | 4.33 | 17 | 58 | 2900 | 2.2 | 2.5 | 50 |
| | 22.3 | 6.19 | 16 | 66 | | | | |
| | 29 | 8.06 | 13.6 | 65 | | | | |
| 50-160(I) | 17.5 | 4.86 | 34.4 | 54 | 2900 | 4 | 2.5 | 72 |
| | 25 | 6.94 | 32 | 63 | | | | |
| | 32.5 | 9.03 | 27.5 | 60 | | | | |
| 50-160(I)A | 16.4 | 4.56 | 30 | 54 | 2900 | 3 | 2.5 | 62 |
| | 23.4 | 6.50 | 28 | 62 | | | | |
| | 30.4 | 8.44 | 24 | 59 | | | | |
| 50-160(I)B | 15 | 4.17 | 26 | 58 | 2900 | 2.2 | 2.5 | 52 |
| | 21.6 | 6.00 | 24 | 58 | | | | |
| | 28 | 7.78 | 20.6 | 58 | | | | |
| 50-200(I) | 17.5 | 4.86 | 52.7 | 49 | 2900 | 7.5 | 2.5 | 102 |
| | 25 | 6.94 | 50 | 58 | | | | |
| | 32.5 | 9.03 | 45.5 | 59 | | | | |
| 50-200(I)A | 16.4 | 4.56 | 46.4 | 48 | 2900 | 5.5 | 2.5 | 96 |
| | 23.5 | 6.53 | 44 | 57 | | | | |
| | 30.5 | 8.47 | 40 | 58 | | | | |
| 50-200(I)B | 15.2 | 4.22 | 40 | 55 | 2900 | 4 | 2.5 | 77 |
| | 21.8 | 6.06 | 38 | 55 | | | | |
| | 28.3 | 7.86 | 34.5 | 55 | | | | |

Flange Dimension



| Flange dimension | | | | |
|------------------|-------|-------|--------|----|
| DN | D | D1 | n-d | b |
| φ 50 | φ 165 | φ 125 | 4-φ 18 | 20 |
| φ 65 | φ 185 | φ 145 | 4-φ 18 | 20 |

Flange Dimension



| Flange dimension | | | | |
|------------------|-------|-------|--------|----|
| DN | D | D1 | n-d | b |
| φ 65 | φ 185 | φ 145 | 4-φ 18 | 20 |

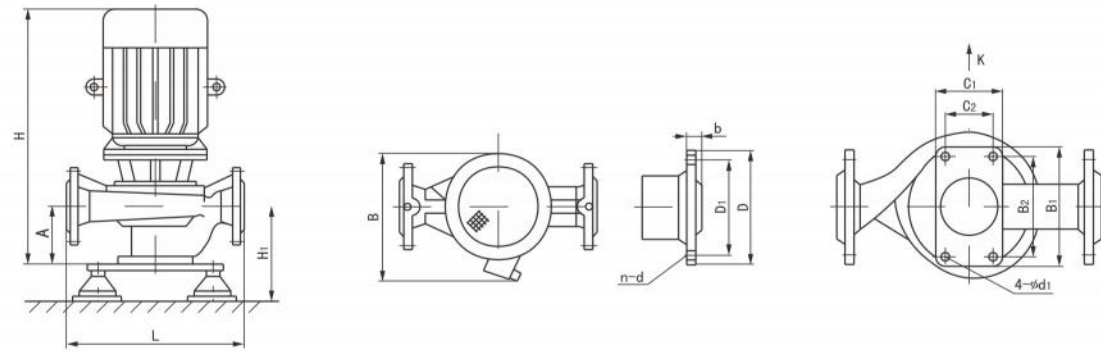
Performance Table

| Model | Rated flow | | Rated head | Efficiency | Rotational Speed | Power | Cavitation | Weight |
|------------|-------------------|------|------------|------------|------------------|-------|------------|--------|
| | m ³ /h | L/s | m | % | r/min | kW | m | kg |
| 50-250(I) | 17.5 | 4.86 | 82 | 39 | 2900 | 15 | 2.5 | 176 |
| | 25 | 6.94 | 80 | 50 | | | | |
| | 32.5 | 9.03 | 76.5 | 52 | | | | |
| 50-250(I)A | 16.4 | 4.56 | 71.5 | 39 | 2900 | 11 | 2.5 | 166 |
| | 23.4 | 6.50 | 70 | 50 | | | | |
| | 30.5 | 8.47 | 67 | 52 | | | | |
| 50-250(I)B | 15 | 4.17 | 61 | 38 | 2900 | 7.5 | 2.5 | 118 |
| | 21.6 | 6.00 | 60 | 49 | | | | |
| | 28 | 7.78 | 57.4 | 54 | | | | |
| 50-315(I) | 17.5 | 4.86 | 128 | 30 | 2900 | 30 | 2.5 | 340 |
| | 25 | 6.94 | 125 | 40 | | | | |
| | 32.5 | 9.03 | 122 | 44 | | | | |
| 50-315(I)A | 16.6 | 4.61 | 115 | 30 | 2900 | 22 | 2.5 | 254 |
| | 23.7 | 6.58 | 113 | 40 | | | | |
| | 31 | 8.61 | 110 | 44 | | | | |
| 50-315(I)B | 15.7 | 4.36 | 103 | 39 | 2900 | 18.5 | 2.5 | 234 |
| | 22.5 | 6.25 | 101 | 39 | | | | |
| | 29.2 | 8.11 | 98 | 39 | | | | |
| 50-315(I)C | 14.4 | 4.00 | 86 | 38 | 2900 | 15 | 2.5 | 210 |
| | 20.6 | 5.72 | 85 | 38 | | | | |
| | 26.8 | 7.44 | 83 | 38 | | | | |
| 65-100 | 17.5 | 4.86 | 13.7 | 67 | 2900 | 1.5 | 3 | 46 |
| | 25 | 6.94 | 12.5 | 69 | | | | |
| | 32.5 | 9.03 | 10.5 | 69 | | | | |
| 65-100A | 15.6 | 4.33 | 11 | 65 | 2900 | 1.1 | 3 | 41 |
| | 22.3 | 6.19 | 10 | 67 | | | | |
| | 29 | 8.06 | 8.4 | 68 | | | | |
| 65-125 | 17.5 | 4.86 | 21.5 | 60 | 2900 | 3 | 3 | 61 |
| | 25 | 6.94 | 20 | 68 | | | | |
| | 32.5 | 9.03 | 18 | 67 | | | | |
| 65-125A | 15.6 | 4.33 | 17 | 58 | 2900 | 2.2 | 3 | 52 |
| | 22.3 | 6.19 | 16 | 66 | | | | |
| | 29 | 8.06 | 14.4 | 65 | | | | |
| 65-160 | 17.5 | 4.86 | 34.4 | 54 | 2900 | 4 | 3 | 73 |
| | 25 | 6.94 | 32 | 63 | | | | |
| | 32.5 | 9.03 | 27.5 | 60 | | | | |
| 65-160A | 16.4 | 4.56 | 30 | 54 | 2900 | 3 | 3 | 63 |
| | 23.4 | 6.50 | 28 | 63 | | | | |
| | 30.4 | 8.44 | 24 | 59 | | | | |
| 65-160B | 15 | 4.17 | 26 | 58 | 2900 | 2.2 | 3 | 53 |
| | 21.6 | 6.00 | 24 | 58 | | | | |
| | 28 | 7.78 | 20.6 | 58 | | | | |

Performance Table

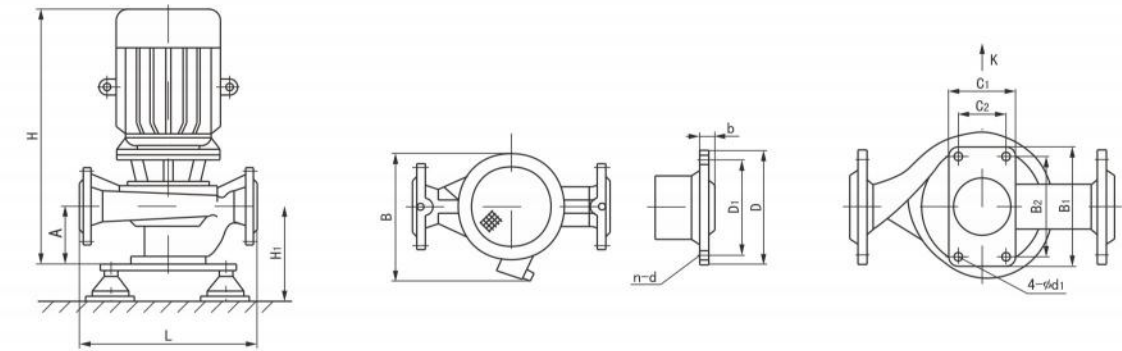
| Model | Rated flow | | Rated head | Efficiency | Rotational Speed | Power | Cavitation | Weight |
|------------|-------------------|-------|------------|------------|------------------|-------|------------|--------|
| | m ³ /h | L/s | m | % | r/min | kW | m | kg |
| 65-200 | 17.5 | 4.86 | 52.7 | 49 | 2900 | 7.5 | 3 | 105 |
| | 25 | 6.94 | 50 | 58 | | | | |
| | 32.5 | 9.03 | 45.5 | 59 | | | | |
| 65-200A | 16.4 | 4.56 | 46.4 | 48 | 2900 | 5.5 | 3 | 99 |
| | 23.5 | 6.53 | 44 | 57 | | | | |
| | 30.5 | 8.47 | 40 | 58 | | | | |
| 65-200B | 15.2 | 4.22 | 40 | 48 | 2900 | 4 | 3 | 80 |
| | 21.8 | 6.06 | 38 | 55 | | | | |
| | 28.3 | 7.86 | 34.5 | 58 | | | | |
| 65-250 | 17.5 | 4.86 | 82 | 39 | 2900 | 15 | 3 | 177 |
| | 25 | 6.94 | 80 | 50 | | | | |
| | 32.5 | 9.03 | 76.5 | 52 | | | | |
| 65-250A | 16.4 | 4.56 | 71.5 | 39 | 2900 | 11 | 3 | 167 |
| | 23.4 | 6.50 | 70 | 50 | | | | |
| | 30.5 | 8.47 | 67 | 52 | | | | |
| 65-250B | 15 | 4.17 | 61 | 38 | 2900 | 7.5 | 3 | 119 |
| | 21.6 | 6.00 | 60 | 49 | | | | |
| | 28 | 7.78 | 57.4 | 54 | | | | |
| 65-315 | 17.5 | 4.86 | 127 | 32 | 2900 | 30 | 3 | 341 |
| | 25 | 6.94 | 125 | 40 | | | | |
| | 32.5 | 9.03 | 122 | 44 | | | | |
| 65-315A | 16.6 | 4.61 | 115 | 32 | 2900 | 22 | 3 | 255 |
| | 23.7 | 6.58 | 113 | 40 | | | | |
| | 31 | 8.61 | 110 | 44 | | | | |
| 65-315B | 15.7 | 4.36 | 103 | 39 | 2900 | 18.5 | 3 | 234 |
| | 22.5 | 6.25 | 101 | 39 | | | | |
| | 29.2 | 8.11 | 98 | 39 | | | | |
| 65-315C | 14.4 | 4.00 | 86 | 38 | 2900 | 15 | 3 | 210 |
| | 20.6 | 5.72 | 85 | 38 | | | | |
| | 26.8 | 7.44 | 83 | 38 | | | | |
| 65-100(I) | 35 | 9.72 | 13.8 | 67 | 2900 | 3 | 3 | 65 |
| | 50 | 13.89 | 12.5 | 73 | | | | |
| | 65 | 18.06 | 10 | 70 | | | | |
| 65-100(I)A | 31.3 | 8.69 | 11 | 66 | 2900 | 2.2 | 3 | 55 |
| | 44.7 | 12.42 | 10 | 72 | | | | |
| | 58 | 16.11 | 8 | 69 | | | | |
| 65-125(I) | 35 | 9.72 | 22 | 67 | 2900 | 5.5 | 3 | 99 |
| | 50 | 13.89 | 20 | 72.5 | | | | |
| | 65 | 18.06 | 17 | 70 | | | | |
| 65-125(I)A | 31.3 | 8.69 | 17.5 | 66 | 2900 | 4 | 3 | 78 |
| | 45 | 12.50 | 16 | 71 | | | | |
| | 58 | 16.11 | 13.6 | 69 | | | | |

Flange Dimension



| Flange dimension | | | | |
|------------------|------|------|-------|----|
| DN | D | D1 | n-d | b |
| φ80 | φ200 | φ160 | 8-φ18 | 22 |

Flange Dimension



| Flange dimension | | | | |
|------------------|------|------|-------|----|
| DN | D | D1 | n-d | b |
| φ80 | φ200 | φ160 | 8-φ18 | 22 |
| φ100 | φ220 | φ180 | 8-φ18 | 24 |

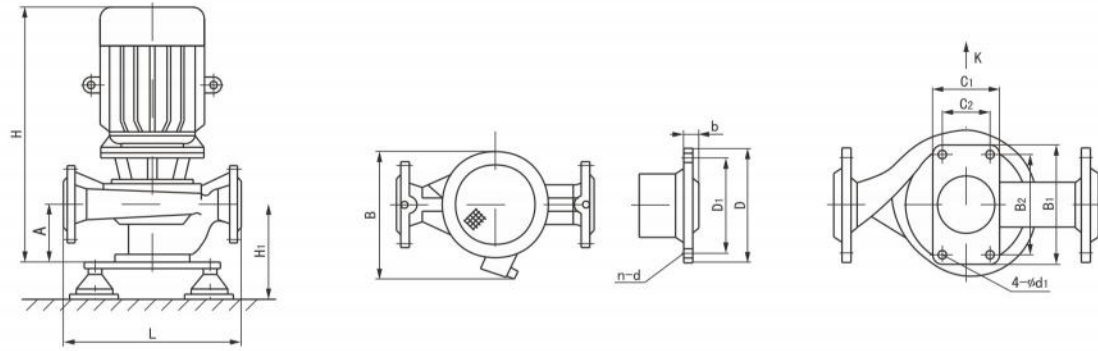
Performance Table

| Model | Rated flow | | Rated head | Efficiency | Rotational Speed | Power | Cavitation | Weight |
|------------|------------|------|------------|------------|------------------|-------|------------|--------|
| | m³/h | L/s | m | % | r/min | kW | m | kg |
| 80-315B | 31 | 8.6 | 102.5 | 53 | 2900 | 30 | 4 | 343 |
| | 44.5 | 12.4 | 100 | 53 | | | | |
| | 58 | 16.1 | 98 | 53 | | | | |
| 80-315C | 29 | 8.1 | 88 | 51 | 2900 | 22 | 4 | 268 |
| | 41 | 11.4 | 85 | 51 | | | | |
| | 53.6 | 14.9 | 83 | 51 | | | | |
| 80-350 | 35 | 9.7 | 156 | 44 | 2900 | 55 | 4 | 530 |
| | 50 | 13.9 | 150 | 51 | | | | |
| | 65 | 18.1 | 139 | 48 | | | | |
| 80-350A | 31 | 8.6 | 148 | 43 | 2900 | 45 | 4 | 420 |
| | 44 | 12.2 | 142 | 50 | | | | |
| | 57 | 15.8 | 134 | 49 | | | | |
| 80-350B | 28 | 7.8 | 142 | 42 | 2900 | 37 | 4 | 360 |
| | 40 | 11.1 | 135 | 49 | | | | |
| | 52 | 14.4 | 127 | 48 | | | | |
| 80-350(I) | 50.4 | 14.0 | 155 | 45 | 2900 | 75 | 4 | 700 |
| | 72 | 20.0 | 150 | 52 | | | | |
| | 93.6 | 26.0 | 143 | 49 | | | | |
| 80-350(I)A | 44.8 | 12.4 | 147 | 44 | 2900 | 55 | 4 | 650 |
| | 64 | 17.8 | 142 | 51 | | | | |
| | 83.2 | 23.1 | 133 | 48 | | | | |
| 80-350(I)B | 39.2 | 10.9 | 140 | 43 | 2900 | 55 | 4 | 650 |
| | 56 | 15.6 | 135 | 50 | | | | |
| | 72.8 | 20.2 | 128 | 47 | | | | |
| 80-100(I) | 70 | 19.4 | 13.6 | 66 | 2900 | 5.5 | 4 | 108 |
| | 100 | 27.8 | 12.5 | 76 | | | | |
| | 130 | 36.1 | 11 | 75 | | | | |
| 80-100(I)A | 62.6 | 17.4 | 11 | 64 | 2900 | 4 | 4 | 86 |
| | 89 | 24.7 | 10 | 74 | | | | |
| | 116 | 32.2 | 8.8 | 74 | | | | |
| 80-125(I) | 70 | 19.4 | 23.5 | 70 | 2900 | 11 | 4 | 160 |
| | 100 | 27.8 | 20 | 76 | | | | |
| | 130 | 36.1 | 14 | 72 | | | | |
| 80-125(I)A | 62.6 | 17.4 | 19 | 68 | 2900 | 7.5 | 4 | 113 |
| | 89 | 24.7 | 16 | 74 | | | | |
| | 116 | 32.2 | 11 | 63 | | | | |
| 80-160(I) | 70 | 19.4 | 36.5 | 70 | 2900 | 15 | 4 | 175 |
| | 100 | 27.8 | 32 | 76 | | | | |
| | 130 | 36.1 | 24 | 65 | | | | |
| 80-160(I)A | 65.4 | 18.2 | 32 | 68 | 2900 | 11 | 4 | 165 |
| | 93.5 | 26.0 | 28 | 74 | | | | |
| | 121.6 | 33.8 | 21 | 67 | | | | |

Performance Table

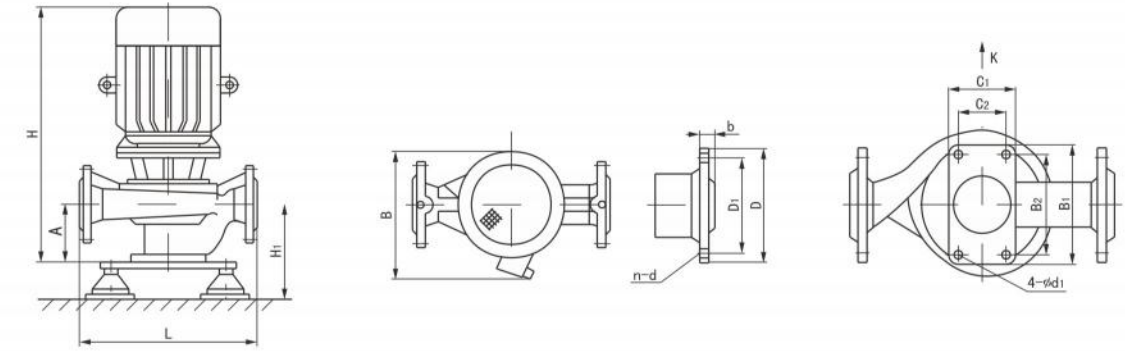
| Model | Rated flow | | Rated head | Efficiency | Rotational Speed | Power | Cavitation | Weight |
|------------|------------|------|------------|------------|------------------|-------|------------|--------|
| | m³/h | L/s | m | % | r/min | kW | m | kg |
| 80-160(I)B | 60.6 | 16.8 | 26 | 72 | 2900 | 7.5 | 4 | 118 |
| | 86.6 | 24.1 | 24 | 72 | | | | |
| | 112.5 | 31.3 | 18 | 72 | | | | |
| 80-200(I) | 70 | 19.4 | 54 | 65 | 2900 | 22 | 4 | 233 |
| | 100 | 27.8 | 50 | 74 | | | | |
| | 130 | 36.1 | 42 | 73 | | | | |
| 80-200(I)A | 65.4 | 18.2 | 47.5 | 64 | 2900 | 18.5 | 4 | 204 |
| | 93.5 | 26.0 | 44 | 73 | | | | |
| | 121.6 | 33.8 | 37 | 72 | | | | |
| 80-200(I)B | 61 | 16.9 | 41 | 71 | 2900 | 15 | 4 | 181 |
| | 87 | 24.2 | 38 | 71 | | | | |
| | 113 | 31.4 | 32 | 71 | | | | |
| 80-250(I) | 70 | 19.4 | 87 | 62 | 2900 | 37 | 4 | 339 |
| | 100 | 27.8 | 80 | 69 | | | | |
| | 130 | 36.1 | 68 | 68 | | | | |
| 80-250(I)A | 65.4 | 18.2 | 76 | 61 | 2900 | 30 | 4 | 333 |
| | 93.5 | 26.0 | 70 | 68 | | | | |
| | 121.6 | 33.8 | 59.5 | 67 | | | | |
| 80-250(I)B | 61 | 16.9 | 65 | 66 | 2900 | 30 | 4 | 333 |
| | 87 | 24.2 | 60 | 66 | | | | |
| | 113 | 31.4 | 51 | 66 | | | | |
| 80-315(I) | 70 | 19.4 | 132 | 55 | 2900 | 75 | 4 | 675 |
| | 100 | 27.8 | 125 | 66 | | | | |
| | 130 | 36.1 | 114 | 67 | | | | |
| 80-315(I)A | 66.5 | 18.5 | 119 | 55 | 2900 | 55 | 4 | 535 |
| | 95 | 26.4 | 113 | 66 | | | | |
| | 123.6 | 34.3 | 103 | 67 | | | | |
| 80-315(I)B | 63 | 17.5 | 106.6 | 65 | 2900 | 45 | 4 | 432 |
| | 90 | 25.0 | 101 | 65 | | | | |
| | 117 | 32.5 | 92 | 65 | | | | |
| 80-315(I)C | 58 | 16.1 | 90 | 63 | 2900 | 37 | 4 | 377 |
| | 82 | 22.8 | 85 | 63 | | | | |
| | 107 | 29.7 | 76 | 63 | | | | |
| 100-100 | 70 | 19.4 | 13.6 | 66 | 2900 | 5.5 | 4.5 | 113 |
| | 100 | 27.8 | 12.5 | 76 | | | | |
| | 130 | 36.1 | 11 | 75 | | | | |
| 100-100A | 62.6 | 17.4 | 11 | 64 | 2900 | 4 | 4.5 | 91 |
| | 89 | 24.7 | 10 | 74 | | | | |
| | 116 | 32.2 | 8.8 | 74 | | | | |
| 100-125 | 70 | 19.4 | 23.5 | 70 | 2900 | 11 | 4.5 | 161 |
| | 100 | 27.8 | 20 | 76 | | | | |
| | 130 | 36.1 | 14 | 65 | | | | |

Flange Dimension



| Flange dimension | | | | |
|------------------|-------|-------|--------|----|
| DN | D | D1 | n-d | b |
| φ 65 | φ 185 | φ 145 | 4-φ 18 | 20 |
| φ 80 | φ 200 | φ 160 | 8-φ 18 | 22 |

Flange Dimension



| Flange dimension | | | | |
|------------------|-------|-------|--------|----|
| DN | D | D1 | n-d | b |
| φ 80 | φ 200 | φ 160 | 8-φ 18 | 22 |

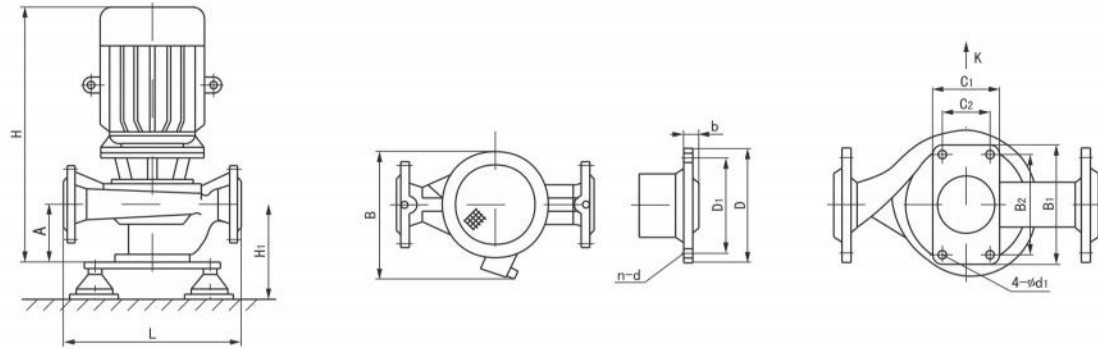
Performance Table

| Model | Rated flow | | Rated head | Efficiency | Rotational Speed | Power | Cavitation | Weight |
|------------|------------|-------|------------|------------|------------------|-------|------------|--------|
| | m³/h | L/s | m | % | r/min | kW | m | kg |
| 65-160(I) | 35 | 9.72 | 35 | 63 | 2900 | 7.5 | 3 | 103 |
| | 50 | 13.89 | 32 | 71 | | | | |
| | 65 | 18.06 | 28 | 70 | | | | |
| 65-160(I)A | 32.7 | 9.08 | 30.6 | 62 | 2900 | 5.5 | 3 | 97 |
| | 46.7 | 12.97 | 28 | 70 | | | | |
| | 61 | 16.94 | 24 | 69 | | | | |
| 65-160(I)B | 30.3 | 8.42 | 26 | 69 | 2900 | 4 | 3 | 77 |
| | 43.3 | 12.03 | 24 | 69 | | | | |
| | 56.3 | 15.64 | 21 | 69 | | | | |
| 65-200(I) | 35 | 9.72 | 53.5 | 55 | 2900 | 15 | 3 | 169 |
| | 50 | 13.89 | 50 | 67 | | | | |
| | 65 | 18.06 | 46 | 68 | | | | |
| 65-200(I)A | 32.8 | 9.11 | 47 | 54 | 2900 | 11 | 3 | 159 |
| | 47 | 13.06 | 44 | 66 | | | | |
| | 61 | 16.94 | 40 | 67 | | | | |
| 65-200(I)B | 30.5 | 8.47 | 40.6 | 65 | 2900 | 7.5 | 3 | 110 |
| | 43.5 | 12.08 | 38 | 65 | | | | |
| | 56.6 | 15.72 | 33.4 | 65 | | | | |
| 65-250(I) | 35 | 9.72 | 83 | 52 | 2900 | 22 | 3 | 232 |
| | 50 | 13.89 | 80 | 59 | | | | |
| | 65 | 18.06 | 72 | 60 | | | | |
| 65-250(I)A | 32.5 | 9.03 | 73 | 52 | 2900 | 18.5 | 3 | 202 |
| | 46.7 | 12.97 | 70 | 59 | | | | |
| | 61 | 16.94 | 63 | 60 | | | | |
| 65-250(I)B | 30 | 8.33 | 62 | 58 | 2900 | 15 | 3 | 178 |
| | 43.3 | 12.03 | 60 | 58 | | | | |
| | 56 | 15.56 | 54 | 58 | | | | |
| 65-315(I) | 35 | 9.72 | 128 | 44 | 2900 | 37 | 3 | 350 |
| | 50 | 13.89 | 125 | 54 | | | | |
| | 65 | 18.06 | 121 | 57 | | | | |
| 65-315(I)A | 32.5 | 9.03 | 112.6 | 43 | 2900 | 30 | 3 | 343 |
| | 46.5 | 12.92 | 110 | 54 | | | | |
| | 60.5 | 16.81 | 106.4 | 57 | | | | |
| 65-315(I)B | 31 | 8.61 | 102.5 | 53 | 2900 | 30 | 3 | 343 |
| | 44.5 | 12.36 | 100 | 53 | | | | |
| | 58 | 16.11 | 98 | 53 | | | | |
| 65-315(I)C | 29 | 8.06 | 87 | 51 | 2900 | 22 | 3 | 260 |
| | 41 | 11.39 | 85 | 51 | | | | |
| | 53.6 | 14.89 | 83 | 51 | | | | |
| 80-100 | 35 | 9.72 | 13.8 | 67 | 2900 | 3 | 4 | 67 |
| | 50 | 13.89 | 12.5 | 73 | | | | |
| | 65 | 18.06 | 10 | 70 | | | | |

Performance Table

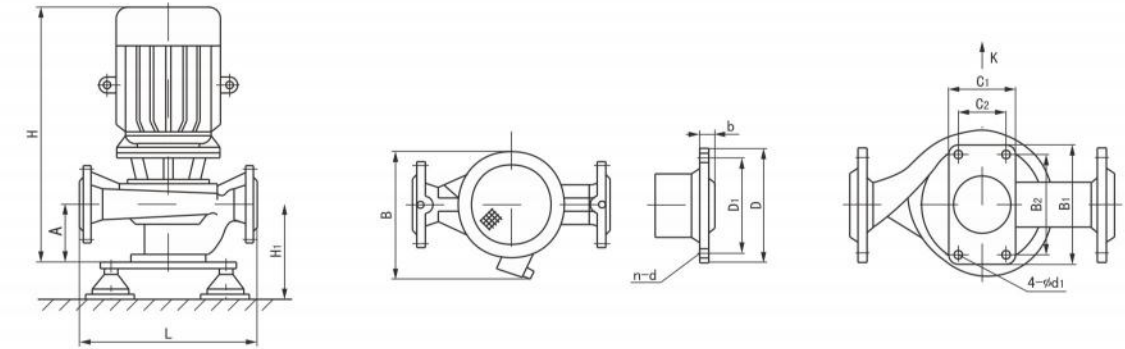
| Model | Rated flow | | Rated head | Efficiency | Rotational Speed | Power | Cavitation | Weight |
|---------|------------|-------|------------|------------|------------------|-------|------------|--------|
| | m³/h | L/s | m | % | r/min | kW | m | kg |
| 80-100A | 31.3 | 8.69 | 11 | 66 | 2900 | 2.2 | 4 | 57 |
| | 44.7 | 12.42 | 10 | 72 | | | | |
| | 58 | 16.11 | 8 | 69 | | | | |
| 80-125 | 35 | 9.72 | 22 | 67 | 2900 | 5.5 | 4 | 99 |
| | 50 | 13.89 | 20 | 72.5 | | | | |
| | 65 | 18.06 | 17 | 70 | | | | |
| 80-125A | 31.3 | 8.69 | 17.5 | 66 | 2900 | 4 | 4 | 78 |
| | 45 | 12.50 | 16 | 71 | | | | |
| | 58 | 16.11 | 13.6 | 69 | | | | |
| 80-160 | 35 | 9.72 | 35 | 63 | 2900 | 7.5 | 4 | 106 |
| | 50 | 13.89 | 32 | 71 | | | | |
| | 65 | 18.06 | 28 | 70 | | | | |
| 80-160A | 32.7 | 9.08 | 30.6 | 62 | 2900 | 5.5 | 4 | 100 |
| | 46.7 | 12.97 | 28 | 70 | | | | |
| | 61 | 16.94 | 24 | 69 | | | | |
| 80-160B | 30.3 | 8.42 | 26 | 69 | 2900 | 4 | 4 | 80 |
| | 43.3 | 12.03 | 24 | 69 | | | | |
| | 56.3 | 15.64 | 21 | 69 | | | | |
| 80-200 | 35 | 9.72 | 53.5 | 55 | 2900 | 15 | 4 | 170 |
| | 50 | 13.89 | 50 | 67 | | | | |
| | 65 | 18.06 | 46 | 68 | | | | |
| 80-200A | 32.8 | 9.11 | 47 | 55 | 2900 | 11 | 4 | 160 |
| | 47 | 13.06 | 44 | 66 | | | | |
| | 61 | 16.94 | 40 | 67 | | | | |
| 80-200B | 30.5 | 8.5 | 40.6 | 65 | 2900 | 7.5 | 4 | 111 |
| | 43.5 | 12.1 | 38 | 65 | | | | |
| | 56.6 | 15.7 | 33.4 | 65 | | | | |
| 80-250 | 35 | 9.7 | 83 | 52 | 2900 | 22 | 4 | 236 |
| | 50 | 13.9 | 80 | 59 | | | | |
| | 65 | 18.1 | 72 | 60 | | | | |
| 80-250A | 32.5 | 9.0 | 73 | 52 | 2900 | 18.5 | 4 | 206 |
| | 46.7 | 13.0 | 70 | 59 | | | | |
| | 61 | 16.9 | 63 | 60 | | | | |
| 80-250B | 30 | 8.3 | 62 | 58 | 2900 | 15 | 4 | 182 |
| | 43.3 | 12.0 | 60 | 58 | | | | |
| | 56 | 15.6 | 54 | 58 | | | | |
| 80-315 | 35 | 9.7 | 128 | 43 | 2900 | 37 | 4 | 358 |
| | 50 | 13.9 | 125 | 54 | | | | |
| | 65 | 18.1 | 122 | 57 | | | | |
| 80-315A | 32.5 | 9.0 | 112.6 | 43 | 2900 | 30 | 4 | 351 |
| | 46.6 | 12.9 | 110 | 54 | | | | |
| | 60.5 | 16.8 | 107.4 | 57 | | | | |

Flange Dimension



| Flange dimension | | | | |
|------------------|------|------|-------|----|
| DN | D | D1 | n-d | b |
| φ100 | φ220 | φ180 | 8-φ18 | 24 |

Flange Dimension



| Flange dimension | | | | |
|------------------|------|------|-------|----|
| DN | D | D1 | n-d | b |
| φ100 | φ220 | φ180 | 8-φ18 | 24 |

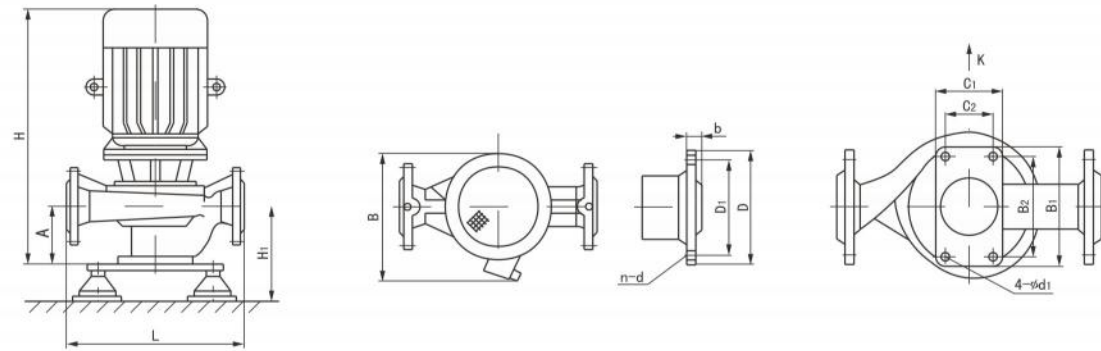
Performance Table

| Model | Rated flow | | Rated head | Efficiency | Rotational Speed | Power | Cavitation | Weight |
|----------|------------|------|------------|------------|------------------|-------|------------|--------|
| | m³/h | L/s | m | % | r/min | kW | m | kg |
| 100-125A | 62.6 | 17.4 | 19 | 68 | 2900 | 7.5 | 4.5 | 114 |
| | 89 | 24.7 | 16 | 74 | | | | |
| | 116 | 32.2 | 11 | 63 | | | | |
| 100-160 | 70 | 19.4 | 36.5 | 70 | 2900 | 15 | 4.5 | 177 |
| | 100 | 27.8 | 32 | 76 | | | | |
| | 130 | 36.1 | 24 | 65 | | | | |
| 100-160A | 65.4 | 18.2 | 32 | 68 | 2900 | 11 | 4.5 | 167 |
| | 93.5 | 26.0 | 28 | 74 | | | | |
| | 121.6 | 33.8 | 21 | 67 | | | | |
| 100-160B | 60.6 | 16.8 | 27 | 72 | 2900 | 7.5 | 4.5 | 120 |
| | 86.6 | 24.1 | 24 | 72 | | | | |
| | 112.5 | 31.3 | 18 | 72 | | | | |
| 100-200 | 70 | 19.4 | 54 | 65 | 2900 | 22 | 4.5 | 232 |
| | 100 | 27.8 | 50 | 74 | | | | |
| | 130 | 36.1 | 42 | 73 | | | | |
| 100-200A | 65.4 | 18.2 | 47.5 | 64 | 2900 | 18.5 | 4.5 | 203 |
| | 93.5 | 26.0 | 44 | 73 | | | | |
| | 121.6 | 33.8 | 37 | 72 | | | | |
| 100-200B | 61 | 16.9 | 41 | 71 | 2900 | 15 | 4.5 | 180 |
| | 87 | 24.2 | 38 | 71 | | | | |
| | 113 | 31.4 | 32 | 71 | | | | |
| 100-250 | 70 | 19.4 | 87 | 62 | 2900 | 37 | 4.5 | 335 |
| | 100 | 27.8 | 80 | 69 | | | | |
| | 130 | 36.1 | 68 | 68 | | | | |
| 100-250A | 65.4 | 18.2 | 76 | 61 | 2900 | 30 | 4.5 | 328 |
| | 93.5 | 26.0 | 70 | 68 | | | | |
| | 121.6 | 33.8 | 59.5 | 67 | | | | |
| 100-250B | 61 | 16.9 | 65 | 66 | 2900 | 30 | 4.5 | 328 |
| | 87 | 24.2 | 60 | 66 | | | | |
| | 113 | 31.4 | 51 | 66 | | | | |
| 100-315 | 70 | 19.4 | 132 | 55 | 2900 | 75 | 4.5 | 675 |
| | 100 | 27.8 | 125 | 66 | | | | |
| | 130 | 36.1 | 114 | 67 | | | | |
| 100-315A | 66.5 | 18.5 | 119 | 55 | 2900 | 55 | 4.5 | 535 |
| | 95 | 26.4 | 113 | 66 | | | | |
| | 123.6 | 34.3 | 103 | 67 | | | | |
| 100-315B | 63 | 17.5 | 106.6 | 65 | 2900 | 45 | 4.5 | 432 |
| | 90 | 25.0 | 101 | 65 | | | | |
| | 117 | 32.5 | 92 | 65 | | | | |
| 100-315C | 58 | 16.1 | 90 | 63 | 2900 | 37 | 4.5 | 377 |
| | 82 | 22.8 | 85 | 63 | | | | |
| | 107 | 29.7 | 76 | 63 | | | | |

Performance Table

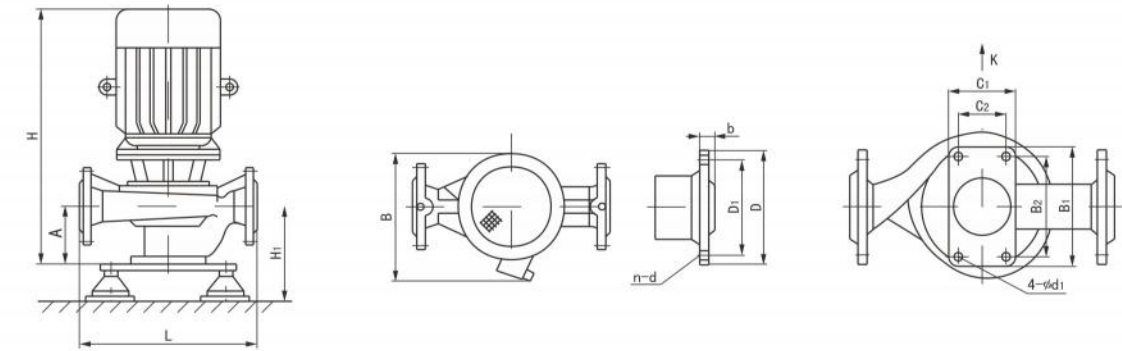
| Model | Rated flow | | Rated head | Efficiency | Rotational Speed | Power | Cavitation | Weight |
|-------------|------------|------|------------|------------|------------------|-------|------------|--------|
| | m³/h | L/s | m | % | r/min | kW | m | kg |
| 100-350 | 70 | 19.4 | 156 | 63 | 2900 | 90 | 4.5 | 740 |
| | 100 | 27.8 | 150 | 67 | | | | |
| | 130 | 36.1 | 148 | 65 | | | | |
| 100-350A | 64 | 17.8 | 148 | 63 | 2900 | 75 | 4.5 | 650 |
| | 88 | 24.4 | 142 | 67 | | | | |
| | 114.4 | 31.8 | 133 | 65 | | | | |
| 100-350B | 56 | 15.6 | 140 | 63 | 2900 | 75 | 4.5 | 510 |
| | 80 | 22.2 | 135 | 67 | | | | |
| | 104 | 28.9 | 125 | 65 | | | | |
| 100-350(I) | 88.2 | 24.5 | 157 | 64 | 2900 | 110 | 4.5 | 830 |
| | 126 | 35.0 | 150 | 68 | | | | |
| | 163.8 | 45.5 | 141 | 66 | | | | |
| 100-350(I)A | 81.2 | 22.6 | 149 | 63 | 2900 | 90 | 4.5 | 760 |
| | 116 | 32.2 | 142 | 67 | | | | |
| | 150.8 | 41.9 | 132 | 65 | | | | |
| 100-350(I)B | 75.6 | 21.0 | 142 | 62 | 2900 | 75 | 4.5 | 680 |
| | 108 | 30.0 | 135 | 66 | | | | |
| | 140.4 | 39.0 | 126 | 64 | | | | |
| 100-100(I) | 96 | 26.7 | 14 | 64 | 2900 | 11 | 4.5 | 173 |
| | 160 | 44.4 | 12.5 | 73 | | | | |
| | 192 | 53.3 | 10 | 70 | | | | |
| 100-125(I) | 96 | 26.7 | 24 | 62 | 2900 | 15 | 4.5 | 182 |
| | 160 | 44.4 | 20 | 74 | | | | |
| | 192 | 53.3 | 14 | 69 | | | | |
| 100-125(I)A | 84 | 23.3 | 20 | 64 | 2900 | 11 | 4.5 | 173 |
| | 140 | 38.9 | 17 | 72 | | | | |
| | 168 | 46.7 | 12 | 68 | | | | |
| 100-160(I) | 96 | 26.7 | 36 | 69 | 2900 | 22 | 4.5 | 241 |
| | 160 | 44.4 | 32 | 79 | | | | |
| | 192 | 53.3 | 28 | 75 | | | | |
| 100-160(I)A | 84 | 23.3 | 32 | 66 | 2900 | 18.5 | 4.5 | 210 |
| | 140 | 38.9 | 28 | 76 | | | | |
| | 168 | 46.7 | 23.5 | 72 | | | | |
| 100-200(I) | 96 | 26.7 | 53 | 69 | 2900 | 37 | 4.5 | 334 |
| | 160 | 44.4 | 50 | 79 | | | | |
| | 192 | 53.3 | 45 | 78 | | | | |
| 100-200(I)A | 84 | 23.3 | 48 | 64 | 2900 | 30 | 4.5 | 328 |
| | 140 | 38.9 | 45 | 74 | | | | |
| | 168 | 46.7 | 40 | 73 | | | | |
| 100-200(I)B | 60 | 16.7 | 43 | 72 | 2900 | 22 | 4.5 | 243 |
| | 100 | 27.8 | 40 | 72 | | | | |
| | 120 | 33.3 | 36 | 72 | | | | |

Flange Dimension



| Flange dimension | | | | |
|------------------|------|------|-------|----|
| DN | D | D1 | n-d | b |
| φ100 | φ220 | φ180 | 8-φ18 | 24 |
| φ125 | φ250 | φ210 | 8-φ18 | 26 |

Flange Dimension



| Flange dimension | | | | |
|------------------|------|------|-------|----|
| DN | D | D1 | n-d | b |
| φ125 | φ250 | φ210 | 8-φ18 | 26 |
| φ150 | φ285 | φ240 | 8-φ22 | 26 |

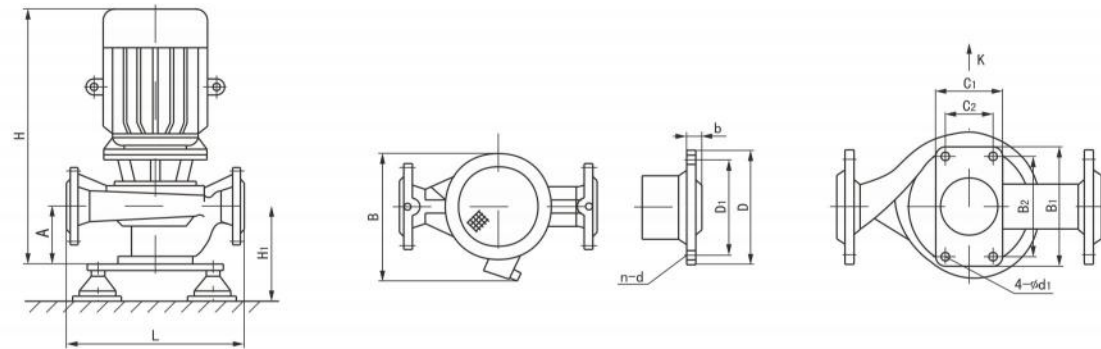
Performance Table

| Model | Rated flow | | Rated head | Efficiency | Rotational Speed | Power | Cavitation | Weight |
|-------------|------------|------|------------|------------|------------------|-------|------------|--------|
| | m³/h | L/s | m | % | r/min | kW | m | kg |
| 100-250(I) | 96 | 26.7 | 83 | 65 | 2900 | 55 | 4.5 | 525 |
| | 160 | 44.4 | 80 | 77 | | | | |
| | 192 | 53.3 | 72 | 74 | | | | |
| 100-250(I)A | 84 | 23.3 | 75 | 60 | 2900 | 45 | 4.5 | 415 |
| | 140 | 38.9 | 72 | 72 | | | | |
| | 168 | 46.7 | 65 | 69 | | | | |
| 100-250(I)B | 60 | 16.7 | 68 | 70 | 2900 | 37 | 4.5 | 359 |
| | 100 | 27.8 | 65 | 70 | | | | |
| | 120 | 33.3 | 58 | 70 | | | | |
| 100-315(I) | 96 | 26.7 | 133 | 72 | 2900 | 90 | 4.5 | 760 |
| | 160 | 44.7 | 125 | 70 | | | | |
| | 192 | 53.3 | 119 | 74 | | | | |
| 100-315(I)A | 90 | 25.0 | 117 | 75 | 2900 | 75 | 4.5 | 684 |
| | 150 | 41.7 | 110 | 75 | | | | |
| | 180 | 50.0 | 104.6 | 75 | | | | |
| 100-315(I)B | 86 | 23.9 | 106.4 | 75 | 2900 | 55 | 4.5 | 684 |
| | 143 | 39.7 | 100 | 75 | | | | |
| | 172 | 47.8 | 95.2 | 75 | | | | |
| 100-315(I)C | 80.5 | 22.4 | 96 | 69 | 2900 | 55 | 5 | 570 |
| | 134 | 37.2 | 88 | 69 | | | | |
| | 161 | 44.7 | 86 | 69 | | | | |
| 125-100 | 96 | 26.7 | 13 | 82 | 2900 | 11 | 5 | 183 |
| | 160 | 44.4 | 12.5 | 82 | | | | |
| | 192 | 53.3 | 12 | 82 | | | | |
| 125-100A | 86 | 23.9 | 10.4 | 77 | 2900 | 7.5 | 5 | 139 |
| | 143 | 39.7 | 10 | 77 | | | | |
| | 172 | 47.8 | 9.6 | 77 | | | | |
| 125-125 | 96 | 26.7 | 22.6 | 80 | 2900 | 15 | 5 | 192 |
| | 160 | 44.4 | 20 | 80 | | | | |
| | 192 | 53.3 | 17 | 80 | | | | |
| 125-125A | 86 | 23.9 | 18 | 77 | 2900 | 11 | 5 | 182 |
| | 143 | 39.7 | 16 | 77 | | | | |
| | 172 | 47.8 | 13.6 | 77 | | | | |
| 125-160 | 96 | 26.7 | 36 | 78 | 2900 | 22 | 5 | 245 |
| | 160 | 44.4 | 32 | 78 | | | | |
| | 192 | 53.3 | 28 | 78 | | | | |
| 125-160A | 90 | 25.0 | 31.5 | 76 | 2900 | 18.5 | 5 | 216 |
| | 150 | 41.7 | 28 | 76 | | | | |
| | 180 | 50.0 | 24.5 | 76 | | | | |
| 125-160B | 83 | 23.1 | 27 | 73 | 2900 | 15 | 5 | 193 |
| | 138 | 38.3 | 24 | 73 | | | | |
| | 166 | 46.1 | 21 | 73 | | | | |

Performance Table

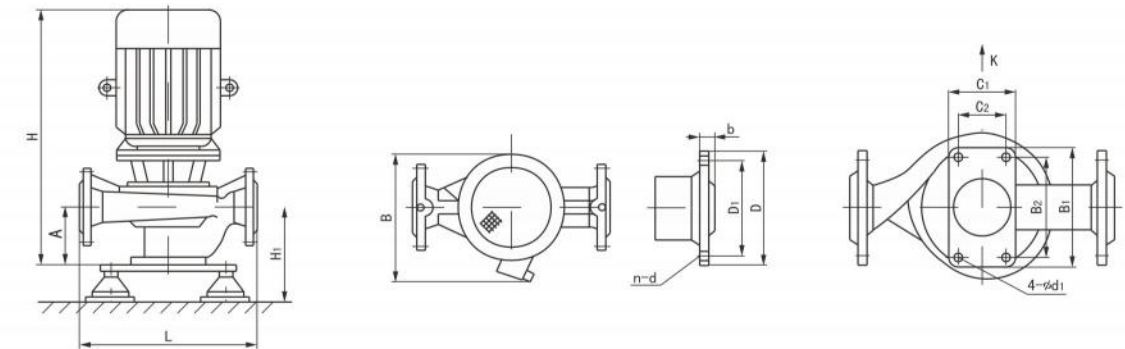
| Model | Rated flow | | Rated head | Efficiency | Rotational Speed | Power | Cavitation | Weight |
|------------|------------|------|------------|------------|------------------|-------|------------|--------|
| | m³/h | L/s | m | % | r/min | kW | m | kg |
| 125-200 | 96 | 26.7 | 55 | 77 | 2900 | 37 | 5 | 345 |
| | 160 | 44.4 | 50 | 77 | | | | |
| | 192 | 53.3 | 46 | 77 | | | | |
| 125-200A | 90 | 25.0 | 48.4 | 76 | 2900 | 30 | 5 | 338 |
| | 150 | 41.7 | 44 | 76 | | | | |
| | 180 | 50.0 | 40.5 | 76 | | | | |
| 125-200B | 83 | 23.1 | 41.3 | 75 | 2900 | 22 | 5 | 254 |
| | 138 | 38.3 | 37.5 | 75 | | | | |
| | 166 | 46.1 | 34.5 | 75 | | | | |
| 125-250 | 96 | 26.7 | 87 | 75 | 2900 | 55 | 5 | 538 |
| | 160 | 44.4 | 80 | 75 | | | | |
| | 192 | 53.3 | 73 | 75 | | | | |
| 125-250A | 90 | 25.0 | 76 | 74 | 2900 | 45 | 5 | 428 |
| | 150 | 41.7 | 70 | 74 | | | | |
| | 180 | 50.0 | 64 | 74 | | | | |
| 125-250B | 83 | 23.1 | 65 | 73 | 2900 | 37 | 5 | 372 |
| | 138 | 38.3 | 60 | 73 | | | | |
| | 166 | 46.1 | 55 | 73 | | | | |
| 125-315 | 96 | 26.7 | 133 | 70 | 2900 | 90 | 5 | 790 |
| | 160 | 44.4 | 125 | 70 | | | | |
| | 192 | 53.3 | 119 | 70 | | | | |
| 125-315A | 90 | 25.0 | 117 | 70 | 2900 | 75 | 5 | 714 |
| | 150 | 41.7 | 110 | 70 | | | | |
| | 180 | 50.0 | 104.6 | 70 | | | | |
| 125-315B | 86 | 23.9 | 106.4 | 69 | 2900 | 75 | 5 | 710 |
| | 143 | 39.7 | 100 | 69 | | | | |
| | 172 | 47.8 | 95.2 | 69 | | | | |
| 125-315C | 80.5 | 22.4 | 96 | 67 | 2900 | 55 | 5 | 570 |
| | 134 | 37.2 | 88 | 67 | | | | |
| | 161 | 44.7 | 86 | 67 | | | | |
| 125-350 | 115 | 31.9 | 160 | 64 | 2900 | 110 | 5 | 970 |
| | 160 | 44.4 | 150 | 71 | | | | |
| | 208 | 57.8 | 139 | 67 | | | | |
| 125-350A | 105 | 29.2 | 152 | 63 | 2900 | 110 | 5 | 720 |
| | 150 | 41.7 | 142 | 70 | | | | |
| | 195 | 54.2 | 131 | 66 | | | | |
| 125-350B | 98 | 27.2 | 110 | 62 | 2900 | 90 | 5 | 690 |
| | 140 | 38.9 | 101 | 69 | | | | |
| | 182 | 50.6 | 90 | 65 | | | | |
| 125-350(I) | 126 | 35.0 | 160 | 66 | 2900 | 132 | 5 | 1130 |
| | 180 | 50.0 | 150 | 72 | | | | |
| | 234 | 65.0 | 138 | 68 | | | | |

Flange Dimension



| Flange dimension | | | | |
|------------------|-------|-------|--------|----|
| DN | D | D1 | n-d | b |
| φ 125 | φ 250 | φ 210 | 8-φ 18 | 26 |
| φ 150 | φ 285 | φ 240 | 8-φ 22 | 26 |

Flange Dimension



| Flange dimension | | | | |
|------------------|-------|-------|--------|----|
| DN | D | D1 | n-d | b |
| φ 150 | φ 285 | φ 240 | 8-φ 22 | 26 |

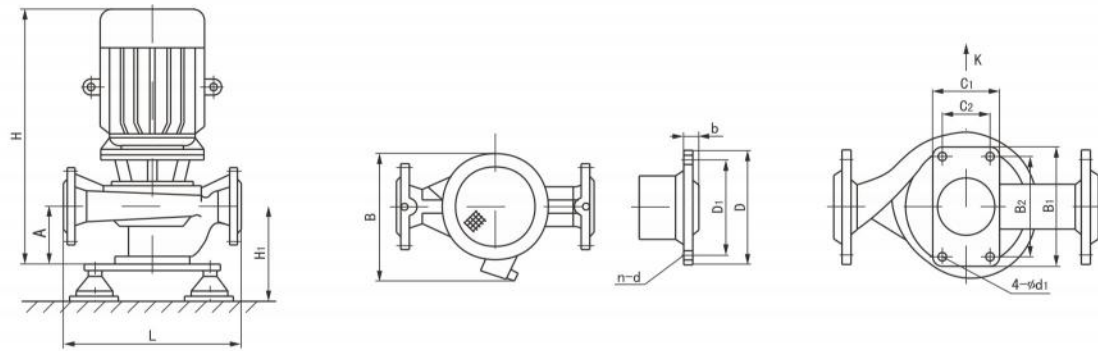
Performance Table

| Model | Rated flow | | Rated head | Efficiency | Rotational Speed | Power | Cavitation | Weight |
|-------------|-------------------|------|------------|------------|------------------|-------|------------|--------|
| | m ³ /h | L/s | m | % | r/min | kW | m | kg |
| 125-350(I)A | 119 | 33.1 | 153 | 65 | 2900 | 110 | 5 | 975 |
| | 170 | 47.2 | 142 | 71 | | | | |
| | 221 | 61.4 | 130 | 67 | | | | |
| 125-350(I)B | 113.4 | 31.5 | 146 | 64 | 2900 | 110 | 5 | 970 |
| | 162 | 45.0 | 135 | 70 | | | | |
| | 210.6 | 58.5 | 123 | 66 | | | | |
| 150-125 | 96 | 26.7 | 22.6 | 66 | 2900 | 15 | 5 | 203 |
| | 160 | 44.4 | 20 | 76 | | | | |
| | 192 | 53.3 | 17 | 76 | | | | |
| 150-125A | 90 | 25.0 | 18 | 77 | 2900 | 11 | 5 | 193 |
| | 150 | 41.7 | 16 | 77 | | | | |
| | 180 | 50.0 | 13.6 | 77 | | | | |
| 150-160 | 96 | 26.7 | 36 | 75 | 2900 | 22 | 5 | 261 |
| | 160 | 44.4 | 32 | 75 | | | | |
| | 192 | 53.3 | 27 | 75 | | | | |
| 150-160A | 90 | 25.0 | 32 | 76 | 2900 | 18.5 | 5 | 232 |
| | 150 | 41.7 | 28 | 76 | | | | |
| | 180 | 50.0 | 23.5 | 76 | | | | |
| 150-160B | 84 | 23.3 | 27 | 73 | 2900 | 15 | 5 | 210 |
| | 140 | 38.9 | 24 | 73 | | | | |
| | 168 | 46.7 | 21 | 73 | | | | |
| 150-200 | 140 | 38.9 | 13.8 | 68 | 1450 | 15 | 5 | 253 |
| | 200 | 55.6 | 12.5 | 78 | | | | |
| | 260 | 72.2 | 10.6 | 78 | | | | |
| 150-200A | 125 | 34.7 | 11 | 66 | 1450 | 11 | 5 | 234 |
| | 179 | 49.7 | 10 | 76 | | | | |
| | 232.5 | 64.6 | 8.5 | 76 | | | | |
| 150-200B | 111.7 | 31.0 | 9.2 | 66 | 1450 | 7.5 | 5 | 235 |
| | 160 | 44.4 | 8 | 76 | | | | |
| | 207 | 57.5 | 6.8 | 76 | | | | |
| 150-250 | 140 | 38.9 | 21.8 | 73 | 1450 | 18.5 | 5 | 314 |
| | 200 | 55.6 | 20 | 79 | | | | |
| | 260 | 72.2 | 17 | 77 | | | | |
| 150-250A | 129 | 35.8 | 18.5 | 72 | 1450 | 15 | 5 | 274 |
| | 184.4 | 51.2 | 17 | 78 | | | | |
| | 240 | 66.7 | 14.4 | 76 | | | | |
| 150-250B | 117 | 32.5 | 15.2 | 76 | 1450 | 11 | 5 | 255 |
| | 167 | 46.4 | 14 | 76 | | | | |
| | 217.5 | 60.4 | 12 | 76 | | | | |
| 150-315 | 140 | 38.9 | 33.8 | 70 | 1450 | 30 | 5 | 413 |
| | 200 | 55.6 | 32 | 78 | | | | |
| | 260 | 72.2 | 28 | 73 | | | | |
| 150-315A | 131 | 36.4 | 29.5 | 69 | 1450 | 22 | 5 | 345 |
| | 187 | 51.9 | 28 | 77 | | | | |
| | 243 | 67.5 | 24.5 | 77 | | | | |
| 150-315B | 121 | 33.6 | 25 | 76 | 1450 | 18.5 | 5 | 335 |
| | 173 | 48.1 | 24 | 76 | | | | |
| | 225 | 62.5 | 21 | 76 | | | | |

Performance Table

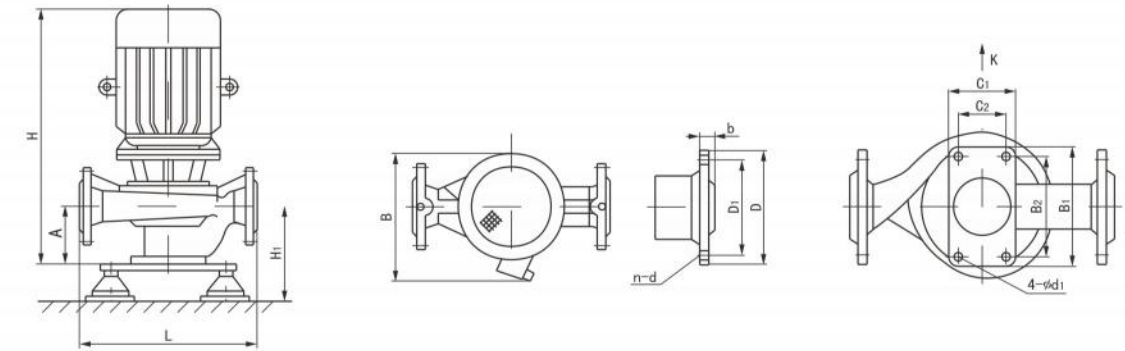
| Model | Rated flow | | Rated head | Efficiency | Rotational Speed | Power | Cavitation | Weight |
|-------------|-------------------|------|------------|------------|------------------|-------|------------|--------|
| | m ³ /h | L/s | m | % | r/min | kW | m | kg |
| 150-350 | 115 | 31.9 | 160 | 64 | 2900 | 110 | 5 | 1020 |
| | 160 | 44.4 | 150 | 71 | | | | |
| | 208 | 57.8 | 139 | 67 | | | | |
| 150-350A | 105 | 29.2 | 152 | 63 | 2900 | 90 | 5 | 910 |
| | 150 | 41.7 | 142 | 70 | | | | |
| | 195 | 54.2 | 131 | 66 | | | | |
| 150-350B | 98 | 27.2 | 110 | 62 | 2900 | 75 | 5 | 815 |
| | 140 | 38.9 | 101 | 69 | | | | |
| | 182 | 50.6 | 90 | 65 | | | | |
| 150-400 | 140 | 38.9 | 53 | 68 | 1450 | 45 | 5 | 547 |
| | 200 | 55.6 | 50 | 75 | | | | |
| | 260 | 72.2 | 44 | 71 | | | | |
| 150-400A | 131 | 36.4 | 46.6 | 67 | 1450 | 37 | 5 | 511 |
| | 187 | 51.9 | 44 | 74 | | | | |
| | 243 | 67.5 | 38.3 | 70 | | | | |
| 150-400B | 122 | 33.9 | 40 | 73 | 1450 | 30 | 5 | 453 |
| | 174 | 48.3 | 38 | 73 | | | | |
| | 226.5 | 62.9 | 33 | 73 | | | | |
| 150-400C | 112 | 31.1 | 34 | 71 | 1450 | 22 | 5 | 388 |
| | 160 | 44.4 | 32 | 71 | | | | |
| | 208 | 57.8 | 28 | 71 | | | | |
| 150-500 | 140 | 38.9 | 83 | 73 | 1450 | 90 | 5 | 950 |
| | 200 | 55.6 | 80 | 82 | | | | |
| | 240 | 66.7 | 75 | 80 | | | | |
| 150-500A | 127 | 35.3 | 73 | 73 | 1450 | 75 | 5 | 910 |
| | 182 | 50.6 | 70.5 | 82 | | | | |
| | 218 | 60.6 | 66 | 80 | | | | |
| 150-500B | 116 | 32.2 | 64.5 | 73 | 1450 | 55 | 5 | 820 |
| | 166 | 46.1 | 62 | 84 | | | | |
| | 199 | 55.3 | 58 | 82 | | | | |
| 150-500C | 106 | 29.4 | 59 | 73 | 1450 | 45 | 5 | 740 |
| | 151 | 41.9 | 56 | 82 | | | | |
| | 178 | 49.4 | 52 | 80 | | | | |
| 150-200(I) | 140 | 38.9 | 53 | 65 | 2900 | 45 | 4.5 | 540 |
| | 200 | 55.6 | 50 | 68 | | | | |
| | 260 | 72.2 | 44 | 67 | | | | |
| 150-200(I)A | 131 | 36.4 | 46.6 | 62 | 2900 | 37 | 4.5 | 490 |
| | 187 | 51.9 | 44 | 65 | | | | |
| | 243 | 67.5 | 38.3 | 64 | | | | |
| 150-200(I)B | 122 | 33.9 | 40 | 62 | 2900 | 30 | 4.5 | 470 |
| | 174 | 48.3 | 38 | 65 | | | | |
| | 226.5 | 62.9 | 33 | 63 | | | | |
| 150-250(I) | 120 | 33.3 | 87 | 65 | 2900 | 75 | 5 | 702 |
| | 200 | 55.6 | 80 | 76 | | | | |
| | 240 | 66.7 | 72 | 74 | | | | |
| 150-250(I)A | 112 | 31.1 | 76 | 64 | 2900 | 55 | 5 | 561 |
| | 187 | 51.9 | 70 | 75 | | | | |
| | 224 | 62.2 | 63 | 73 | | | | |

Flange Dimension



| Flange dimension | | | | |
|------------------|-------|-------|---------|----|
| DN | D | D1 | n-d | b |
| φ 150 | φ 285 | φ 240 | 8-φ 22 | 26 |
| φ 200 | φ 340 | φ 295 | 12-φ 22 | 30 |

Flange Dimension



| Flange dimension | | | | |
|------------------|-------|-------|---------|----|
| DN | D | D1 | n-d | b |
| φ 200 | φ 340 | φ 295 | 12-φ 22 | 30 |

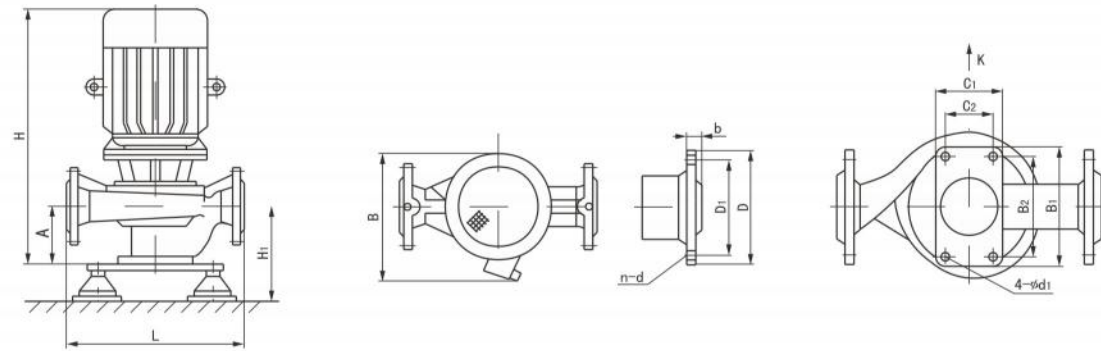
Performance Table

| Model | Rated flow | | Rated head | Efficiency | Rotational Speed | Power | Cavitation | Weight |
|-------------|------------|------|------------|------------|------------------|-------|------------|--------|
| | m³/h | L/s | m | % | r/min | kW | m | kg |
| 150-250(I)B | 104 | 28.9 | 65 | 63 | 2900 | 45 | 5 | 454 |
| | 173 | 48.1 | 60 | 74 | | | | |
| | 208 | 57.8 | 54 | 72 | | | | |
| 150-315(I) | 120 | 33.3 | 133 | 58 | 2900 | 110 | 5 | 1040 |
| | 200 | 55.6 | 125 | 73 | | | | |
| | 240 | 66.7 | 120 | 75 | | | | |
| 150-315(I)A | 112 | 31.1 | 116 | 57 | 2900 | 90 | 5 | 800 |
| | 187 | 51.9 | 110 | 72 | | | | |
| | 224 | 62.2 | 105 | 74 | | | | |
| 150-315(I)B | 104 | 28.9 | 100 | 55 | 2900 | 75 | 5 | 724 |
| | 173 | 48.1 | 95 | 70 | | | | |
| | 208 | 57.8 | 91 | 72 | | | | |
| 150-350(I) | 126 | 35.0 | 160 | 66 | 2900 | 132 | 5 | 990 |
| | 180 | 50.0 | 150 | 72 | | | | |
| | 234 | 65.0 | 138 | 68 | | | | |
| 150-350(I)A | 119 | 33.1 | 153 | 65 | 2900 | 110 | 5 | 740 |
| | 170 | 47.2 | 142 | 71 | | | | |
| | 221 | 61.4 | 130 | 67 | | | | |
| 150-350(I)B | 113.4 | 31.5 | 146 | 64 | 2900 | 110 | 5 | 720 |
| | 162 | 45.0 | 135 | 70 | | | | |
| | 210.6 | 58.5 | 123 | 66 | | | | |
| 200-200 | 140 | 38.9 | 13.8 | 68 | 1450 | 15 | 5.5 | 282 |
| | 200 | 55.6 | 12.5 | 78 | | | | |
| | 260 | 72.2 | 10.6 | 78 | | | | |
| 200-200A | 125 | 34.7 | 11 | 66 | 1450 | 11 | 5.5 | 273 |
| | 179 | 49.7 | 10 | 76 | | | | |
| | 232.5 | 64.6 | 8.5 | 76 | | | | |
| 200-250 | 140 | 38.9 | 21.8 | 73 | 1450 | 18.5 | 5.5 | 352 |
| | 200 | 55.6 | 20 | 79 | | | | |
| | 260 | 72.2 | 17 | 77 | | | | |
| 200-250A | 129 | 35.8 | 18.5 | 72 | 1450 | 15 | 5.5 | 310 |
| | 184.4 | 51.2 | 17 | 78 | | | | |
| | 240 | 66.7 | 14.4 | 76 | | | | |
| 200-250B | 117 | 32.5 | 15.2 | 70 | 1450 | 11 | 5.5 | 290 |
| | 167 | 46.4 | 14 | 70 | | | | |
| | 217.5 | 60.4 | 12 | 70 | | | | |
| 200-315 | 140 | 38.9 | 33.8 | 70 | 1450 | 30 | 5.5 | 440 |
| | 200 | 55.6 | 32 | 78 | | | | |
| | 260 | 72.2 | 28 | 78 | | | | |
| 200-315A | 131 | 36.4 | 29.5 | 69 | 1450 | 22 | 5.5 | 373 |
| | 187 | 51.9 | 28 | 77 | | | | |
| | 243 | 67.5 | 24.5 | 77 | | | | |

Performance Table

| Model | Rated flow | | Rated head | Efficiency | Rotational Speed | Power | Cavitation | Weight |
|-------------|------------|-------|------------|------------|------------------|-------|------------|--------|
| | m³/h | L/s | m | % | r/min | kW | m | kg |
| 200-315B | 121 | 33.6 | 25 | 76 | 1450 | 18.5 | 5.5 | 362 |
| | 173 | 48.1 | 24 | 76 | | | | |
| | 225 | 62.5 | 21 | 76 | | | | |
| 200-400 | 140 | 38.9 | 53 | 68 | 1450 | 45 | 5.5 | 560 |
| | 200 | 55.6 | 50 | 75 | | | | |
| | 260 | 72.2 | 44 | 71 | | | | |
| 200-400A | 131 | 36.4 | 46.6 | 67 | 1450 | 37 | 5.5 | 523 |
| | 187 | 51.9 | 44 | 74 | | | | |
| | 243 | 67.5 | 38.3 | 70 | | | | |
| 200-400B | 122 | 33.9 | 40 | 73 | 1450 | 30 | 5.5 | 465 |
| | 174 | 48.3 | 38 | 73 | | | | |
| | 226.5 | 62.9 | 33 | 73 | | | | |
| 200-400C | 112 | 31.1 | 34 | 71 | 1450 | 22 | 5.5 | 401 |
| | 160 | 44.4 | 32 | 71 | | | | |
| | 208 | 57.8 | 28 | 71 | | | | |
| 200-500 | 140 | 38.9 | 83 | 74 | 1450 | 90 | 5.5 | 1100 |
| | 200 | 55.6 | 80 | 82 | | | | |
| | 240 | 66.7 | 75 | 79 | | | | |
| 200-500A | 127 | 35.3 | 73 | 74 | 1450 | 75 | 5.5 | 1100 |
| | 182 | 50.6 | 70.5 | 82 | | | | |
| | 218 | 60.6 | 66 | 79 | | | | |
| 200-500B | 116 | 32.2 | 64.5 | 74 | 1450 | 55 | 5.5 | 1100 |
| | 166 | 46.1 | 62 | 84 | | | | |
| | 199 | 55.3 | 58 | 80 | | | | |
| 200-200(I) | 280 | 77.8 | 13.4 | 70 | 1450 | 22 | 5.5 | 408 |
| | 400 | 111.1 | 12.5 | 80 | | | | |
| | 520 | 144.4 | 10.5 | 79 | | | | |
| 200-200(I)A | 250 | 69.4 | 10.7 | 68 | 1450 | 18.5 | 5.5 | 398 |
| | 358 | 99.4 | 10 | 78 | | | | |
| | 465 | 129.2 | 8.5 | 77 | | | | |
| 200-250(I) | 280 | 77.8 | 22.2 | 75 | 1450 | 30 | 5.5 | 483 |
| | 400 | 111.1 | 20 | 80 | | | | |
| | 520 | 144.4 | 14 | 72 | | | | |
| 200-250(I)A | 250 | 69.4 | 18 | 73 | 1450 | 22 | 5.5 | 413 |
| | 358 | 99.4 | 16 | 78 | | | | |
| | 465 | 129.2 | 11.2 | 70 | | | | |
| 200-250(I)B | 226 | 62.8 | 14.4 | 70 | 1450 | 18.5 | 5.5 | 402 |
| | 322 | 89.4 | 13 | 75 | | | | |
| | 419 | 116.4 | 7.3 | 67 | | | | |

Flange Dimension

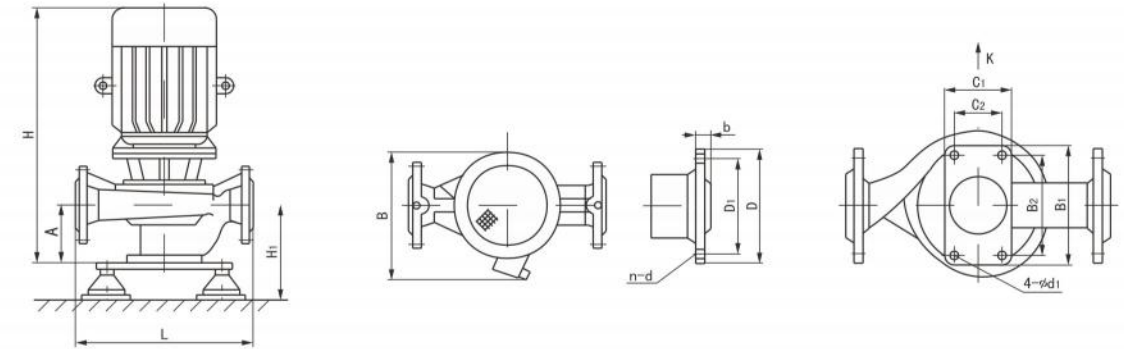


| Flange dimension | | | | |
|------------------|------|------|--------|----|
| DN | D | D1 | n-d | b |
| φ200 | φ340 | φ295 | 12-φ22 | 30 |

Performance Table

| Model | Rated flow | | Rated head | Efficiency | Rotational Speed | Power | Cavitation | Weight |
|--------------|-------------------|-------|------------|------------|------------------|-------|------------|--------|
| | m ³ /h | L/s | m | % | r/min | kW | m | kg |
| 200-315(I) | 280 | 77.8 | 36 | 73 | 1450 | 55 | 5.5 | 685 |
| | 400 | 111.1 | 32 | 80 | | | | |
| | 520 | 144.4 | 26 | 75 | | | | |
| 200-315(I)A | 262 | 72.8 | 31.5 | 72 | 1450 | 45 | 5.5 | 600 |
| | 374 | 103.9 | 28 | 79 | | | | |
| | 486 | 135.0 | 23 | 74 | | | | |
| 200-315(I)B | 242 | 67.2 | 27 | 78 | 1450 | 37 | 5.5 | 564 |
| | 346 | 96.1 | 24 | 78 | | | | |
| | 450 | 125.0 | 19.5 | 78 | | | | |
| 200-400(I) | 280 | 77.8 | 54.5 | 75 | 1450 | 75 | 5.5 | 840 |
| | 400 | 111.1 | 50 | 81 | | | | |
| | 520 | 144.4 | 39 | 77 | | | | |
| 200-400(I)A | 262 | 72.8 | 48 | 80 | 1450 | 75 | 5.5 | 840 |
| | 374 | 103.9 | 44 | 80 | | | | |
| | 486 | 135.0 | 34 | 80 | | | | |
| 200-400(I)B | 242 | 67.2 | 41.4 | 78 | 1450 | 55 | 5.5 | 615 |
| | 346 | 96.1 | 38 | 78 | | | | |
| | 450 | 125.0 | 29.6 | 78 | | | | |
| 200-400(I)C | 224 | 62.2 | 34.9 | 76 | 1450 | 45 | 5.5 | 615 |
| | 320 | 88.9 | 32 | 76 | | | | |
| | 416 | 115.6 | 25 | 76 | | | | |
| 200-500(I) | 280 | 77.8 | 85 | 73 | 1450 | 132 | 5.5 | 1250 |
| | 400 | 111.1 | 80 | 77 | | | | |
| | 520 | 144.4 | 70 | 76 | | | | |
| 200-500(I)A | 262 | 72.8 | 74.4 | 74 | 1450 | 110 | 5.5 | 1160 |
| | 374 | 103.9 | 70 | 79 | | | | |
| | 486 | 135.0 | 61.2 | 73 | | | | |
| 200-500(I)B | 242 | 67.2 | 63.8 | 74 | 1450 | 90 | 5.5 | 1050 |
| | 346 | 96.1 | 60 | 79 | | | | |
| | 450 | 125.0 | 52.5 | 73 | | | | |
| 200-500(I)C | 224 | 62.2 | 53.2 | 74 | 1450 | 75 | 5.5 | 906 |
| | 320 | 88.9 | 50 | 79 | | | | |
| | 416 | 115.6 | 43.8 | 75 | | | | |
| 200-200(II) | 210 | 58.3 | 13.4 | 77 | 1480 | 18.5 | 4 | 380 |
| | 300 | 83.3 | 12.5 | | | | | |
| | 360 | 100 | 10.5 | | | | | |
| 200-200(II)A | 196 | 54.4 | 10.3 | 76.1 | 1480 | 15 | 4 | 346 |
| | 280 | 77.8 | 10 | | | | | |
| | 336 | 93.3 | 8.5 | | | | | |

Flange Dimension

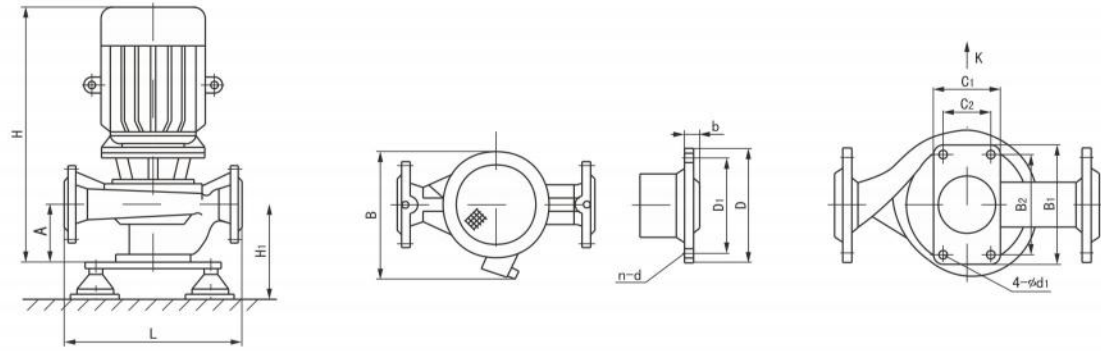


| Flange dimension | | | | |
|------------------|------|------|--------|----|
| DN | D | D1 | n-d | b |
| φ250 | φ340 | φ295 | 12-φ22 | 30 |
| φ250 | φ405 | φ355 | 12-φ26 | 30 |

Performance Table

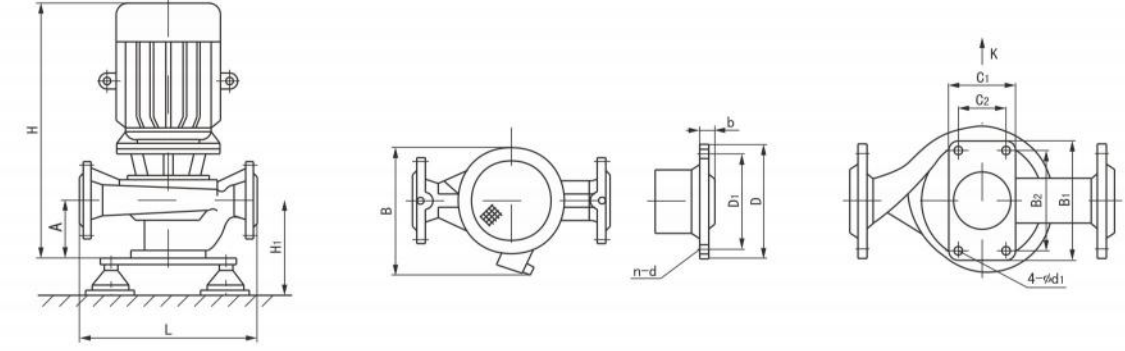
| Model | Rated flow | | Rated head | Efficiency | Rotational Speed | Power | Cavitation | Weight |
|--------------|-------------------|-------|------------|------------|------------------|-------|------------|--------|
| | m ³ /h | L/s | m | % | r/min | kW | m | kg |
| 200-250(II) | 210 | 58.3 | 22.2 | 77.9 | 1480 | 22 | 4 | 475 |
| | 300 | 83.3 | 20 | | | | | |
| | 360 | 100 | 14 | | | | | |
| 200-250(II)A | 196 | 54.4 | 18 | 77 | 1480 | 18.5 | 4 | 380 |
| | 280 | 77.8 | 16 | | | | | |
| | 336 | 93.3 | 11.2 | | | | | |
| 200-250(II)B | 182 | 50.6 | 14.6 | 76 | 1480 | 15 | 4 | 346 |
| | 262 | 72.8 | 13 | | | | | |
| | 312 | 86.7 | 9 | | | | | |
| 200-315(II) | 210 | 58.3 | 36 | 77.6 | 1480 | 45 | 4 | 600 |
| | 300 | 83.3 | 32 | | | | | |
| | 360 | 100 | 26 | | | | | |
| 200-315(II)A | 196 | 54.4 | 31.5 | 76.7 | 1480 | 37 | 4 | 560 |
| | 280 | 77.8 | 28 | | | | | |
| | 336 | 93.3 | 23 | | | | | |
| 200-315(II)B | 182 | 50.6 | 27 | 75.7 | 1480 | 30 | 4 | 505 |
| | 262 | 72.8 | 24 | | | | | |
| | 312 | 86.7 | 19.5 | | | | | |
| 200-400(II) | 210 | 58.3 | 54.5 | 75.3 | 1480 | 75 | 4 | 800 |
| | 300 | 83.3 | 50 | | | | | |
| | 360 | 100 | 39 | | | | | |
| 200-400(II)A | 196 | 54.4 | 48 | 74.4 | 1480 | 55 | 4 | 708 |
| | 280 | 77.8 | 44 | | | | | |
| | 336 | 93.3 | 34 | | | | | |
| 200-400(II)B | 182 | 50.6 | 41.4 | 73.4 | 1480 | 45 | 4 | 600 |
| | 262 | 72.8 | 38 | | | | | |
| | 312 | 86.7 | 29.6 | | | | | |
| 200-400(II)C | 171 | 47.5 | 34.9 | 72.5 | 1480 | 37 | 4 | 600 |
| | 245 | 68.1 | 32 | | | | | |
| | 294 | 81.7 | 25 | | | | | |
| 200-500(II) | 210 | 58.3 | 85 | 70.2 | 1480 | 110 | 4.5 | 1230 |
| | 300 | 83.3 | 80 | | | | | |
| | 360 | 100 | 73 | | | | | |
| 200-500(II)A | 196 | 54.4 | 74 | 69.3 | 1480 | 90 | 4.5 | 906 |
| | 280 | 77.8 | 70 | | | | | |
| | 336 | 93.3 | 64 | | | | | |
| 200-500(II)B | 182 | 50.6 | 64 | 68.3 | 1480 | 75 | 4.5 | 816 |
| | 262 | 72.8 | 60 | | | | | |
| | 312 | 86.7 | 54 | | | | | |
| 200-500(II)C | 171 | 47.5 | 56 | 67.4 | 1480 | 55 | 4.5 | 780 |
| | 245 | 68.1 | 52 | | | | | |
| | 294 | 81.7 | 48 | | | | | |
| 250-250 | 350 | 97.2 | 21.8 | 78 | 1450 | 45 | 5.5 | 599 |
| | 550 | 152.7 | 20 | | | | | |
| | 600 | 166.7 | 18.1 | | | | | |
| 250-250A | 300 | 83.3 | 18.3 | 76 | 1450 | 37 | 5.5 | 549 |
| | 500 | 138.9 | 17 | | | | | |
| | 600 | 166.7 | 14 | | | | | |

Flange Dimension



| Flange dimension | | | | |
|------------------|-------|-------|---------|----|
| DN | D | D1 | n-d | b |
| φ 250 | φ 405 | φ 355 | 12-φ 26 | 30 |
| φ 300 | φ 460 | φ 410 | 12-φ 26 | 32 |

Flange Dimension



| Flange dimension | | | | |
|------------------|-------|-------|---------|----|
| DN | D | D1 | n-d | b |
| φ 300 | φ 460 | φ 410 | 12-φ 26 | 32 |

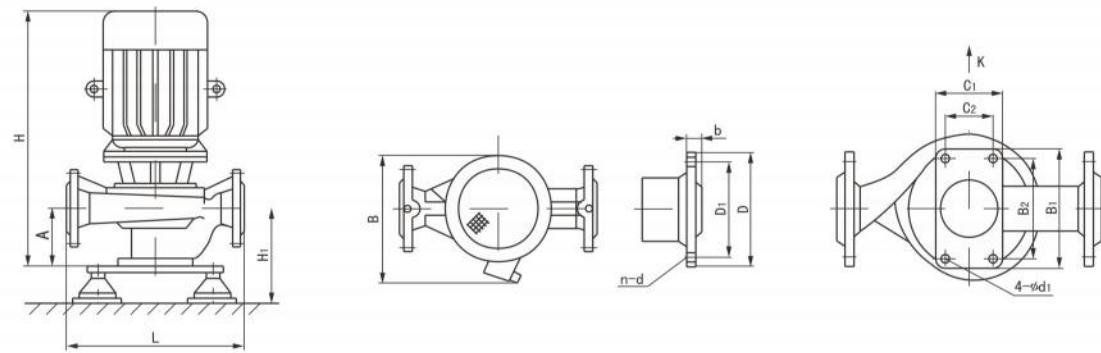
Performance Table

| Model | Rated flow | | Rated head | Efficiency | Rotational Speed | Power | Cavitation | Weight |
|----------|------------|-------|------------|------------|------------------|-------|------------|--------|
| | m³/h | L/s | m | % | r/min | kW | m | kg |
| 250-315 | 350 | 97.2 | 35 | 76 | 1450 | 75 | 5.5 | 1100 |
| | 550 | 152.8 | 32 | 80 | | | | |
| | 600 | 166.7 | 28 | 78 | | | | |
| 250-315A | 350 | 97.2 | 31.5 | 74 | 1450 | 55 | 5.5 | 950 |
| | 500 | 138.9 | 28 | 78 | | | | |
| | 600 | 166.7 | 24 | 77 | | | | |
| 250-315B | 350 | 88.5 | 26.5 | 70 | 1450 | 45 | 5.5 | 850 |
| | 450 | 125.0 | 24 | 74 | | | | |
| | 540 | 150.0 | 20 | 72 | | | | |
| 250-400 | 350 | 97.2 | 54.5 | 72 | 1450 | 110 | 5.5 | 1160 |
| | 550 | 152.8 | 50 | 72 | | | | |
| | 600 | 166.7 | 41.5 | 72 | | | | |
| 250-400A | 250 | 69.4 | 47.5 | 72 | 1450 | 90 | 5.5 | 1050 |
| | 500 | 138.9 | 44 | 72 | | | | |
| | 564 | 156.7 | 36.5 | 72 | | | | |
| 250-400B | 232 | 64.4 | 41 | 71 | 1450 | 75 | 5.5 | 960 |
| | 460 | 127.8 | 38 | 74 | | | | |
| | 524 | 145.6 | 31.5 | 73 | | | | |
| 250-400C | 224 | 62.2 | 33 | 71 | 1450 | 55 | 5.5 | 880 |
| | 429 | 119.2 | 31 | 74 | | | | |
| | 514 | 142.8 | 28 | 73 | | | | |
| 250-500 | 385 | 106.9 | 87 | 73 | 1450 | 185 | 5.5 | 1250 |
| | 550 | 152.8 | 80 | 77 | | | | |
| | 660 | 183.3 | 68 | 74 | | | | |
| 250-500A | 357 | 99.2 | 76.1 | 73 | 1450 | 160 | 5.5 | 1160 |
| | 510 | 141.7 | 70 | 77 | | | | |
| | 612 | 170.0 | 59.5 | 74 | | | | |
| 250-500B | 329 | 91.4 | 65.2 | 73 | 1450 | 132 | 5.5 | 1050 |
| | 470 | 130.6 | 60 | 77 | | | | |
| | 564 | 156.7 | 51 | 74 | | | | |
| 250-500C | 301 | 83.6 | 54.3 | 74 | 1450 | 110 | 5.5 | 940 |
| | 430 | 119.4 | 50 | 80 | | | | |
| | 516 | 143.3 | 42.5 | 77 | | | | |
| 300-235 | 540 | 150.0 | 20.5 | 76 | 1450 | 55 | 5.5 | 1075 |
| | 720 | 200.0 | 18 | 82 | | | | |
| | 900 | 250.0 | 15 | 78 | | | | |
| 300-235A | 450 | 125.0 | 17.2 | 76 | 1450 | 45 | 5.5 | 970 |
| | 600 | 166.7 | 15 | 82 | | | | |
| | 720 | 200.0 | 12.5 | 78 | | | | |

Performance Table

| Model | Rated flow | | Rated head | Efficiency | Rotational Speed | Power | Cavitation | Weight |
|----------|------------|-------|------------|------------|------------------|-------|------------|--------|
| | m³/h | L/s | m | % | r/min | kW | m | kg |
| 300-235B | 420 | 116.7 | 14.3 | 76 | 1450 | 37 | 5.5 | 925 |
| | 540 | 150 | 12.8 | 82 | | | | |
| | 650 | 181 | 10.5 | 78 | | | | |
| 300-250 | 540 | 150.0 | 22.5 | 76 | 1450 | 55 | 6 | 1085 |
| | 720 | 200.0 | 20 | 82 | | | | |
| | 900 | 250.0 | 17 | 78 | | | | |
| 300-250A | 450 | 136.0 | 19.5 | 76 | 1450 | 45 | 6 | 980 |
| | 600 | 166.7 | 17 | 82 | | | | |
| | 720 | 200.0 | 14 | 78 | | | | |
| 300-315 | 540 | 150.0 | 35 | 76 | 1450 | 90 | 6 | 1230 |
| | 720 | 200.0 | 32 | 82 | | | | |
| | 900 | 250.0 | 28 | 78 | | | | |
| 300-315A | 460 | 127.8 | 31.5 | 76 | 1450 | 75 | 6 | 1095 |
| | 662 | 183.9 | 28 | 82 | | | | |
| | 791 | 219.7 | 24 | 78 | | | | |
| 300-315B | 423 | 117.5 | 26.5 | 76 | 1450 | 55 | 6 | 970 |
| | 609 | 169.2 | 24 | 81 | | | | |
| | 728 | 202.2 | 20 | 78 | | | | |
| 300-400 | 500 | 128.9 | 54 | 84 | 1450 | 132 | 5.5 | 1500 |
| | 720 | 200.0 | 50 | 85 | | | | |
| | 900 | 250.0 | 42 | 82 | | | | |
| 300-400A | 460 | 127.8 | 47 | 84 | 1450 | 110 | 5.5 | 1255 |
| | 662 | 183.9 | 44 | 85 | | | | |
| | 791 | 219.7 | 37 | 82 | | | | |
| 300-400B | 423 | 117.5 | 41 | 84 | 1450 | 90 | 5.5 | 1220 |
| | 609 | 169.2 | 38 | 85 | | | | |
| | 728 | 202.2 | 32 | 82 | | | | |
| 300-400C | 373 | 103.6 | 33 | 84 | 1450 | 75 | 5.5 | 1100 |
| | 536 | 148.9 | 31 | 87 | | | | |
| | 641 | 178.1 | 28 | 83 | | | | |
| 300-460 | 480 | 133.3 | 71 | 75 | 1450 | 185 | 5.5 | 1350 |
| | 720 | 200.0 | 65 | 81 | | | | |
| | 900 | 250.0 | 58 | 82 | | | | |
| 300-460A | 444 | 123.3 | 60 | 74 | 1450 | 160 | 5.5 | 1230 |
| | 666 | 185.0 | 55 | 80 | | | | |
| | 830 | 231.4 | 49 | 81 | | | | |
| 300-460B | 409 | 113.6 | 49 | 73 | 1450 | 110 | 5.5 | 1125 |
| | 614 | 170.6 | 45 | 79 | | | | |
| | 767 | 213.1 | 35 | 80 | | | | |

Flange Dimension

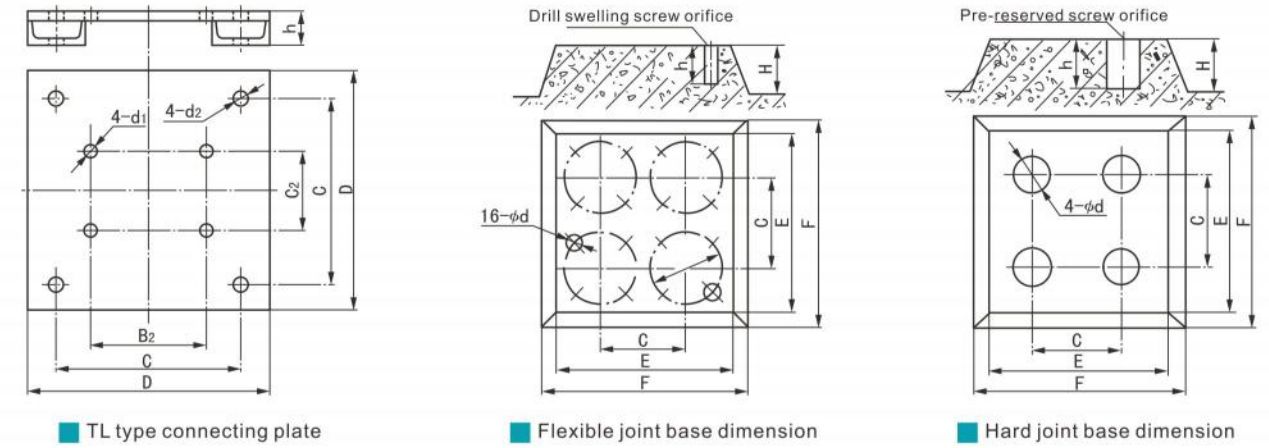


| Flange dimension | | | | |
|------------------|------|------|--------|----|
| DN | D | D1 | n-d | b |
| φ300 | φ460 | φ410 | 12-φ26 | 32 |
| φ350 | φ520 | φ470 | 16-φ26 | 34 |

Performance Table

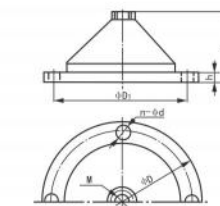
| Model | Rated flow | | Rated head | Efficiency | Rotational Speed | Power | Cavitation | Weight |
|----------|-------------------|-------|------------|------------|------------------|-------|------------|--------|
| | m ³ /h | L/s | m | % | r/min | kW | m | kg |
| 300-500 | 540 | 150.0 | 85 | 78 | 1450 | 250 | 5.5 | 1685 |
| | 720 | 200.0 | 80 | 80 | | | | |
| | 900 | 250.0 | 70 | 78 | | | | |
| 300-500A | 506 | 140.6 | 74.4 | 77 | 1450 | 200 | 5.5 | 1565 |
| | 675 | 187.5 | 70 | 79 | | | | |
| | 720 | 200.0 | 61.2 | 77 | | | | |
| 300-500B | 468 | 130.0 | 63.8 | 76 | 1450 | 160 | 5.5 | 1472 |
| | 625 | 173.6 | 60 | 78 | | | | |
| | 667 | 185.3 | 52.5 | 76 | | | | |
| 300-500C | 425 | 118.1 | 63.2 | 75 | 1450 | 110 | 5.5 | 1345 |
| | 570 | 158.3 | 50 | 77 | | | | |
| | 605 | 168.1 | 43.8 | 75 | | | | |
| 350-250 | 720 | 200.0 | 24 | 82 | 1450 | 90 | 5.5 | 1230 |
| | 1200 | 333.3 | 20 | 82 | | | | |
| | 1440 | 400.0 | 17 | 82 | | | | |
| 350-250A | 650 | 180.6 | 19.5 | 81 | 1450 | 75 | 5.5 | 1100 |
| | 1080 | 300.0 | 16 | 81 | | | | |
| | 1300 | 361.1 | 13.5 | 81 | | | | |
| 350-315 | 720 | 200.0 | 36 | 81 | 1450 | 160 | 5.5 | 1650 |
| | 1200 | 333.3 | 32 | 81 | | | | |
| | 1440 | 400.0 | 28 | 81 | | | | |
| 350-315A | 670 | 186.1 | 31 | 80 | 1450 | 132 | 5.5 | 1510 |
| | 1120 | 311.1 | 28 | 80 | | | | |
| | 1340 | 372.2 | 24 | 80 | | | | |
| 350-315B | 625 | 173.6 | 27 | 78 | 1450 | 110 | 5.5 | 1370 |
| | 1040 | 288.9 | 24 | 78 | | | | |
| | 1250 | 347.2 | 20 | 78 | | | | |
| 350-400 | 720 | 200.0 | 55 | 80 | 1450 | 250 | 5.5 | 1950 |
| | 1200 | 333.3 | 50 | 80 | | | | |
| | 1440 | 400.0 | 45 | 80 | | | | |
| 350-400A | 670 | 186.1 | 47.5 | 79 | 1450 | 220 | 5.5 | 1810 |
| | 1120 | 311.1 | 44 | 79 | | | | |
| | 1340 | 372.2 | 39 | 79 | | | | |
| 350-400B | 625 | 173.6 | 41.5 | 78 | 1450 | 200 | 5.5 | 1690 |
| | 1040 | 288.9 | 38 | 78 | | | | |
| | 1250 | 347.2 | 34 | 78 | | | | |
| 350-400C | 670 | 186.1 | 33 | 82 | 1450 | 160 | 5.5 | 1530 |
| | 905 | 251.4 | 31 | 86 | | | | |
| | 1073 | 298.1 | 28 | 84 | | | | |

Accessories And Installation Dimension

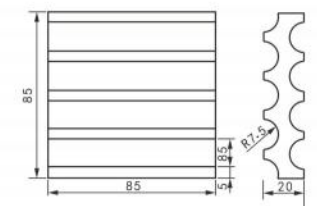


| Model | TL coupling plate size | | | Flexible joint base dimension | | | | | Rigid joint base dimension | | | | | | | | | | |
|-------|------------------------|---------|---------|-------------------------------|-----|-----|-----|------|----------------------------|-----|-------|-------|----|-----|------|------|-----|----|-----|
| | B2×C2 | C×C | D×D | h | φd1 | φd2 | H | E | F | C | φD | φD | h | H | E | F | C | φD | h |
| TL-1 | 45×70 | 240×240 | 300×300 | 50 | φ12 | φ10 | 200 | 450 | 500 | 240 | φ14.5 | φ14.5 | 60 | 200 | 450 | 500 | 240 | 60 | 200 |
| TL-2 | 50×80 | 240×240 | 300×300 | 50 | φ14 | φ12 | 200 | 450 | 500 | 240 | φ14.5 | φ14.5 | 60 | 200 | 450 | 500 | 240 | 60 | 200 |
| TL-3 | 60×100 | 240×240 | 300×300 | 50 | φ14 | φ12 | 200 | 450 | 500 | 240 | φ14.5 | φ14.5 | 60 | 200 | 450 | 500 | 240 | 60 | 200 |
| TL-4 | 70×120 | 240×240 | 300×300 | 50 | φ18 | φ16 | 200 | 450 | 500 | 240 | φ14.5 | φ14.5 | 60 | 200 | 450 | 500 | 240 | 60 | 200 |
| TL-5 | 80×130 | 240×240 | 300×300 | 50 | φ18 | φ16 | 200 | 450 | 500 | 240 | φ14.5 | φ14.5 | 60 | 200 | 450 | 500 | 240 | 60 | 200 |
| TL-6 | 100×160 | 240×240 | 300×300 | 50 | φ18 | φ16 | 200 | 450 | 500 | 240 | φ14.5 | φ14.5 | 60 | 200 | 450 | 500 | 240 | 60 | 200 |
| TL-7 | 120×180 | 340×340 | 400×400 | 50 | φ18 | φ16 | 250 | 650 | 700 | 340 | φ14.5 | φ14.5 | 60 | 250 | 650 | 700 | 340 | 80 | 250 |
| TL-8 | 150×240 | 340×340 | 400×400 | 50 | φ22 | φ16 | 250 | 650 | 700 | 340 | φ14.5 | φ14.5 | 60 | 250 | 650 | 700 | 340 | 80 | 250 |
| TL-9 | 180×270 | 440×440 | 500×500 | 50 | φ22 | φ18 | 300 | 750 | 800 | 440 | φ14.5 | φ14.5 | 60 | 300 | 750 | 800 | 440 | 80 | 250 |
| TL-10 | 200×250 | 440×440 | 500×500 | 50 | φ22 | φ18 | 300 | 750 | 800 | 440 | φ14.5 | φ14.5 | 60 | 300 | 750 | 800 | 440 | 80 | 250 |
| TL-11 | 210×260 | 440×440 | 500×500 | 50 | φ22 | φ18 | 300 | 750 | 800 | 440 | φ14.5 | φ14.5 | 60 | 300 | 750 | 800 | 440 | 80 | 250 |
| TL-12 | 230×280 | 540×540 | 600×600 | 50 | φ22 | φ18 | 300 | 800 | 850 | 540 | φ14.5 | φ14.5 | 60 | 300 | 800 | 850 | 540 | 80 | 250 |
| TL-13 | 250×320 | 540×540 | 600×600 | 50 | φ22 | φ18 | 300 | 800 | 850 | 540 | φ14.5 | φ14.5 | 60 | 300 | 800 | 850 | 540 | 80 | 250 |
| TL-14 | 300×350 | 720×720 | 800×800 | 50 | φ22 | φ22 | 350 | 1000 | 1100 | 740 | φ14.5 | φ14.5 | 60 | 350 | 1000 | 1100 | 740 | 80 | 250 |
| TL-15 | 350×450 | 720×720 | 800×800 | 50 | φ26 | φ22 | 350 | 1000 | 1100 | 740 | φ14.5 | φ14.5 | 60 | 350 | 1000 | 1100 | 740 | 80 | 250 |
| TL-16 | 400×450 | 720×720 | 800×800 | 50 | φ26 | φ22 | 350 | 1000 | 1100 | 740 | φ14.5 | φ14.5 | 60 | 350 | 1000 | 1100 | 740 | 80 | 250 |
| TL-17 | 400×500 | 720×720 | 800×800 | 50 | φ26 | φ22 | 350 | 1000 | 1100 | 740 | φ14.5 | φ14.5 | 60 | 350 | 1000 | 1100 | 740 | 80 | 250 |
| TL-18 | 500×600 | 720×720 | 800×800 | 50 | φ26 | φ22 | 350 | 1000 | 1100 | 740 | φ14.5 | φ14.5 | 60 | 350 | 1000 | 1100 | 740 | 80 | 250 |

| Model | M | D | D1 | H | h | d | n |
|-------|----|-----|-----|-----|----|----|---|
| JD1-1 | 10 | 100 | 80 | 45 | 8 | 8 | 4 |
| JD1-2 | 10 | 100 | 80 | 45 | 8 | 8 | 4 |
| JD2-1 | 12 | 150 | 130 | 65 | 10 | 8 | 4 |
| JD2-2 | 12 | 150 | 130 | 65 | 10 | 8 | 4 |
| JD3-1 | 16 | 200 | 170 | 90 | 12 | 12 | 4 |
| JD3-2 | 16 | 200 | 170 | 90 | 12 | 12 | 4 |
| JD4-1 | 20 | 290 | 260 | 135 | 17 | 12 | 4 |
| JD4-2 | 20 | 290 | 260 | 135 | 17 | 12 | 4 |



JD type vibration isolator mounting dimensions



SD type vibration cushion Dimensions